

High-performance Side Feeding and Homogeneous Spreading of Concrete.

PLACER / SPREADER

WPS 62(i) | WPS 102i



HIGH-PERFORMANCE SIDE FEEDING AND HOMOGENEOUS SPREADING OF CONCRETE.

The cost-efficient two-track placer / spreader is ideal for high-performance concrete feeding at widths of 4.0 m to 7.5 m (WPS 62 (i)) or 4.0 m to 12.0 m (WPS 102 i) and a thickness of 500 mm.

The machine concept with a hydraulically telescoping machine frame and concrete strike-off unit makes the machine highly adaptable to any job site situation.

The powerful, fast folding feeder conveyor features an intelligent control concept and guarantees maximum concrete availability for the slipform paver following behind it.

The fully modular machine design comes standard-equipped with hydraulic quick-change couplings for easy conversion, rapid transport, and maximum machine availability

The machine can be precisely controlled via stringline scanning, via 3D applications without a stringline, or via WIRTGEN Autopilot 2.0.



WIRTGEN SLIPFORM PAVERS

OFFSET SLIPFORM PAVERS

- > Offset paving width up to 4,000 mm ¹⁾
- > Offset paving height up to 3,000 mm ¹⁾

PLACER / SPREADERS

- > Inset paving width up to 12,000 mm ¹⁾
- > Inset paving thickness up to 500 mm ¹⁾

INSET SLIPFORM PAVERS

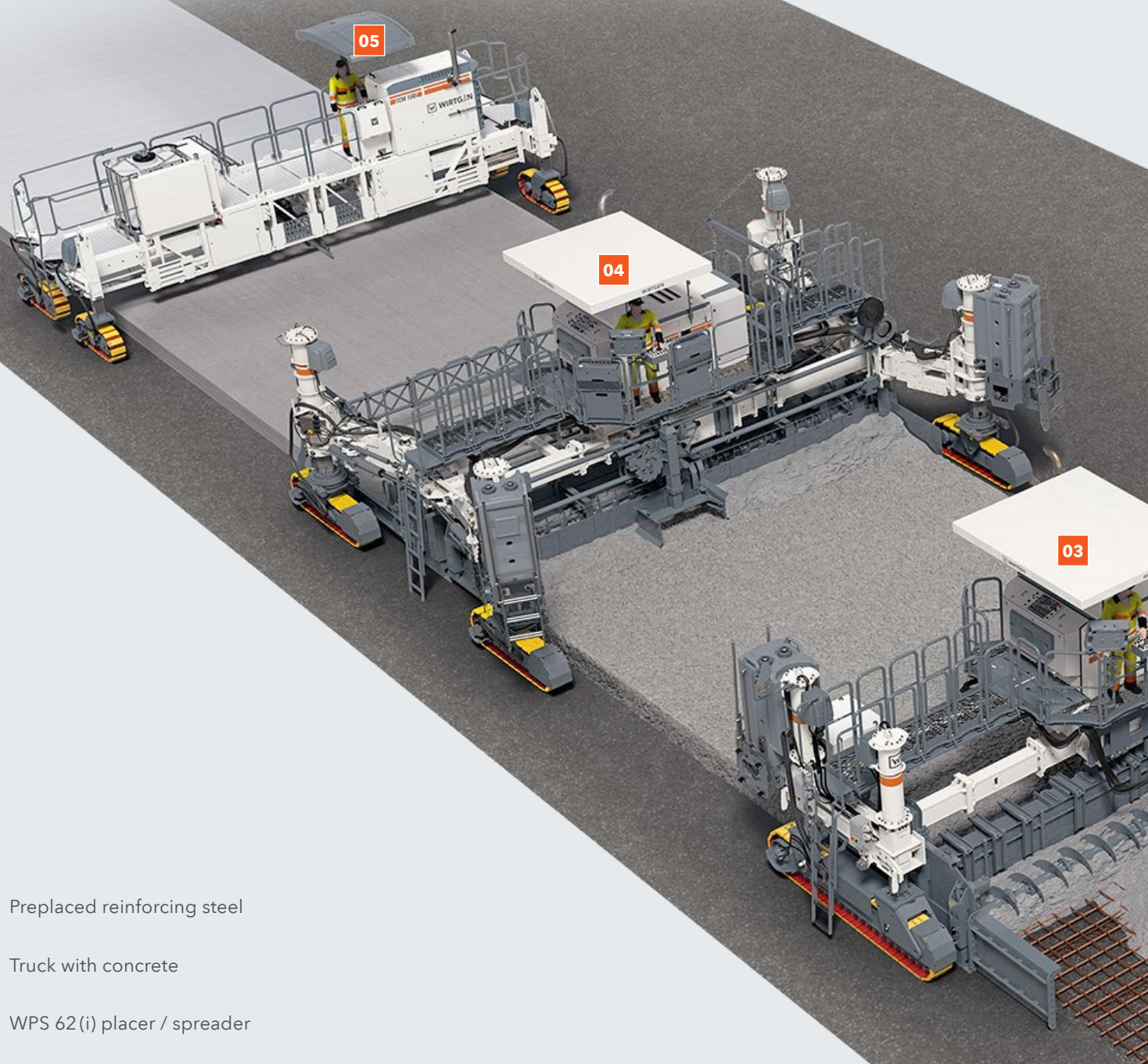
- > Inset paving width up to 16,000 mm ¹⁾
- > Inset paving thickness up to 450 mm ¹⁾

TEXTURE CURING MACHINES

- > Working width up to 18,000 mm
- > Working height up to 500 mm

¹⁾ Special paving widths, paving thicknesses, paving heights and other options on request

OPERATING PRINCIPLE OF A PAVING TRAIN

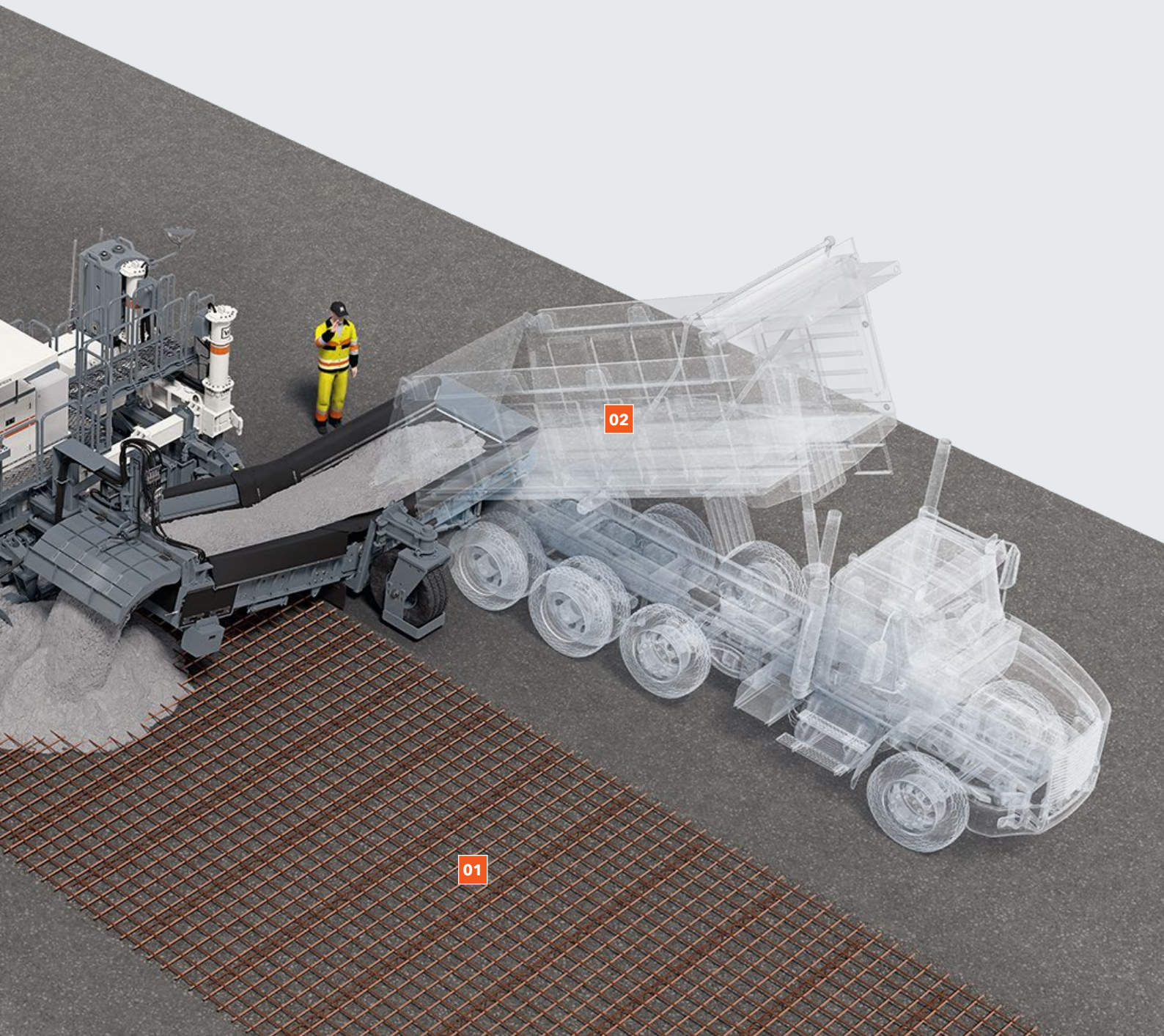


- 01 Preplaced reinforcing steel
- 02 Truck with concrete
- 03 WPS 62(i) placer / spreader
- 04 SP 64(i) slipform paver
- 05 TCM 180(i) texture curing machine

Cost-Effective Concrete Paving with preplaced Reinforcement

When paving concrete over preplaced reinforcing steel, the concrete can often only be supplied from the side. In this case, a placer / spreader is normally used in combination with a slipform paver and a texture curing machine. A truck feeds the concrete to the placer / spreader, which distributes

the material evenly over the pre-placed reinforcement. The slipform paver following behind then paves the concrete at the required width - while simultaneously compacting and smoothing it. To complete the process, the texture curing machine produces a defined surface structure and sprays evaporation protection onto the fresh concrete road surface.



HIGHLIGHTS OF THE PLACER / SPREADER AT A GLANCE

01 Intelligent Machine Concept

- > Homogeneous spreading of large quantities of concrete fed in from the side
- > Two-track placer / spreaders on the basis of the field-proven SP 62(i) and SP 102 i slipform pavers
- > Fully-modular machine configuration for paving widths of 4.0 m to 7.5 m (WPS 62(i)) or 4.0 m to 12.0 m (WPS 102 i)
- > Hydraulically telescoping machine frame
- > Simple, standardized operating concept also found on the latest SP series' models
- > Optimal overview of all important working areas, e.g. the strike-off wall and the spreading auger
- > State-of-the-art engine technology with cost-efficient, low-noise engine management
- > Environmentally friendly machine operation

02 High-Performance Concrete Feeding System

- > 1.6 m wide conveyor belt
- > High drive power for high conveyor speed of 3 m/sec
- > Feeding unit can be folded extremely fast (approx. 6 seconds)
- > Height of feeding unit hydraulically adjustable
- > Height and angle of discharge unit hydraulically adjustable
- > Variable baffle plate
- > Two add-on belt conveyor extension modules of different lengths are available for assuring optimal concrete feed at all working widths (only WPS 102 i)
- > Hydraulic version of numerous concrete feeding functions equipped standard
- > Effective conveyor stripper for reliable cleaning and low wear



03 Heavy-Duty Concrete Unit

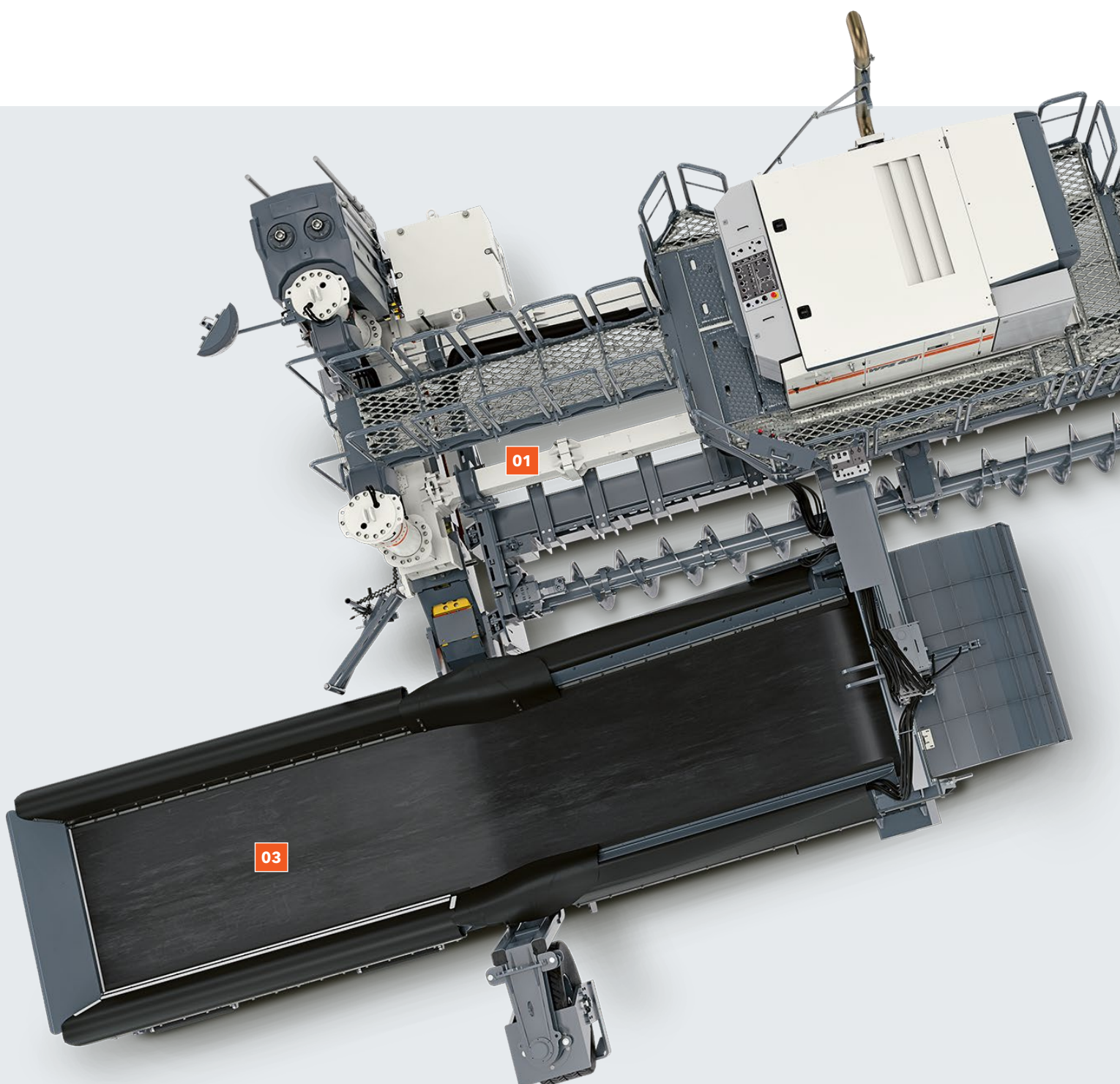
- > High-performance spreading auger for powerful concrete spreading
- > Height of side plates can be adjusted by up to 500 mm for reliable operation
- > Robust strike-off wall with self-supporting telescoping system
- > Strike-off wall can be conveniently adapted to the concrete paving height independent of the actual machine height
- > Cleaning position for strike-off wall
- > Height of the strike-off wall adjustable via additional remote control (optional)
- > Intelligent cylinder features
- > Concrete unit can easily be adapted to central crown paving

04 Simple Conversion and Transport

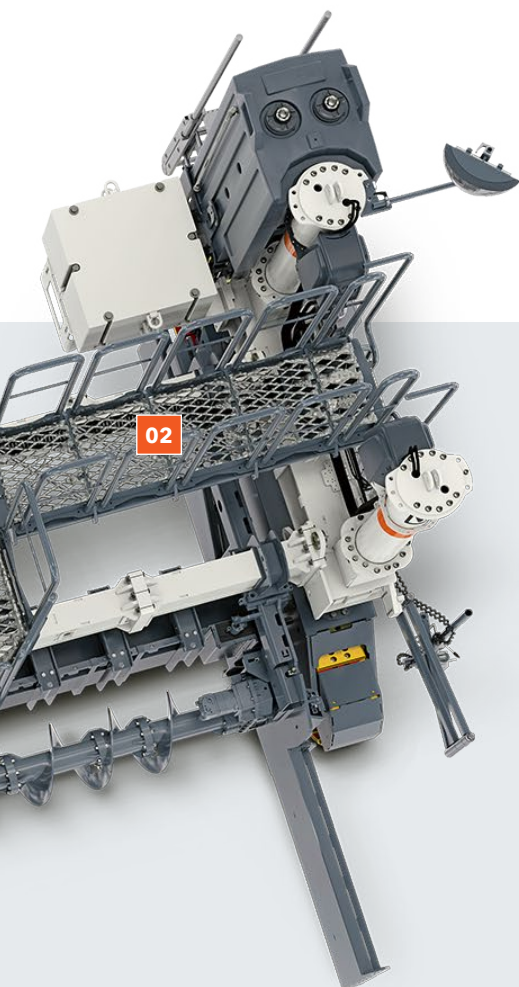
- > Quick and easy reconfiguration of the spreading auger, strike-off wall and machine chassis
- > Loading ramps for quick and easy transportation (optional)
- > No lifting equipment required for changing paving width
- > Compact transport dimensions for easy transport with standard flat bed truck
- > Fast configuration of the machine for operation from the left or right side
- > Multi coupling for quick and easy set-up, reconfiguration and transport of concrete feeding system



INTELLIGENT MACHINE CONCEPT



Fully modular machine design for paving widths from 4.0 m – 7.5 m (WPS 62(i)).



01 Hydraulically Telescoping Machine Frame

The hydraulically telescoping machine frame makes it easier to adapt the placer / spreader to different site conditions.

02 Fully Modular Machine Design

Fully-modular machine configuration makes it easy to adapt the machine for paving widths from 4.0 m to 7.5 m (WPS 62(i)) or from 4.0 m to 12.0 m (WPS 102 i).

03 Homogeneous Concrete Spreading

The entire machine concept of the placer / spreader is geared toward distributing extremely large quantities of side-fed concrete evenly and flexibly for pavements up to 7.5 m wide (WPS 62(i)) or up to 12.0 m (WPS 102 i) with a thickness of 500 mm.



Design Based on Field-Proven Slipform Paver

The WPS 62(i) and WPS 102 i placer / spreaders are based on the field-proven and reliable SP 62(i) and SP 102(i) two-track slipform pavers.

Simple, Standardized Operating Concept

The standardised, self-explanatory operating concept of the spreader / placers is the same as that of the latest SP series' models and offers additional synergy effects.

Perfect Visibility

The generously dimensioned operator's platform provides an ideal overview of the paving process - including the strike-off wall and the spreading auger. In addition, the ergonomically designed operator's platform increases the operator's productivity.

Cost-Effective Machine Operation

Automatic, demand-based engine management results in optimized engine efficiency, economical diesel consumption, and low noise emissions in the low-speed range, thereby making machine operation more environmentally friendly.

State-Of-The-Art Engine Technology

The state-of-the-art, low-noise engine technology of the WPS 62 is fully compliant with EU Stage 3a / US EPA Tier 3 exhaust gas emission standards. The state-of-the-art engine technology of the WPS 62 i / WPS 102 i is fully-compliant with the stringent EU Stage 5 / US EPA Tier 4f exhaust gas emission standards.

HIGH-PERFORMANCE CONCRETE FEEDING SYSTEM

01 Wide Conveyor Belt

The 1.6 m wide conveyor belt is able to handle even large quantities of concrete without any difficulties.

02 Height of Feeding Unit Adjustable

The height of the feeding unit can be adjusted variably to the required loading height of the concrete transport vehicles.

03 Intelligent Belt Conveyor Concept

The intelligent belt conveyor concept is designed for processing enormous quantities of concrete.

04 Hydraulically Adjustable Discharge Unit

The height and angle of the discharge unit can be adjusted hydraulically to ensure that the concrete is distributed optimally.

05 Variable Baffle Plate

The angle of the variable baffle plate can be hydraulically adjusted to ensure optimal pre-spreading of the discharged concrete.



High Drive Power

The high-performance conveyor drive achieves a high belt speed of up to 3 m/sec and a high conveying capacity in any application.

Extremely Fast Folding Process

The process of folding the feeding unit takes about 6 seconds and therefore reliably avoids unproductive downtimes waiting for concrete transport vehicles.

Two add-on Belt Conveyor Extension Modules (Only WPS 102 i)

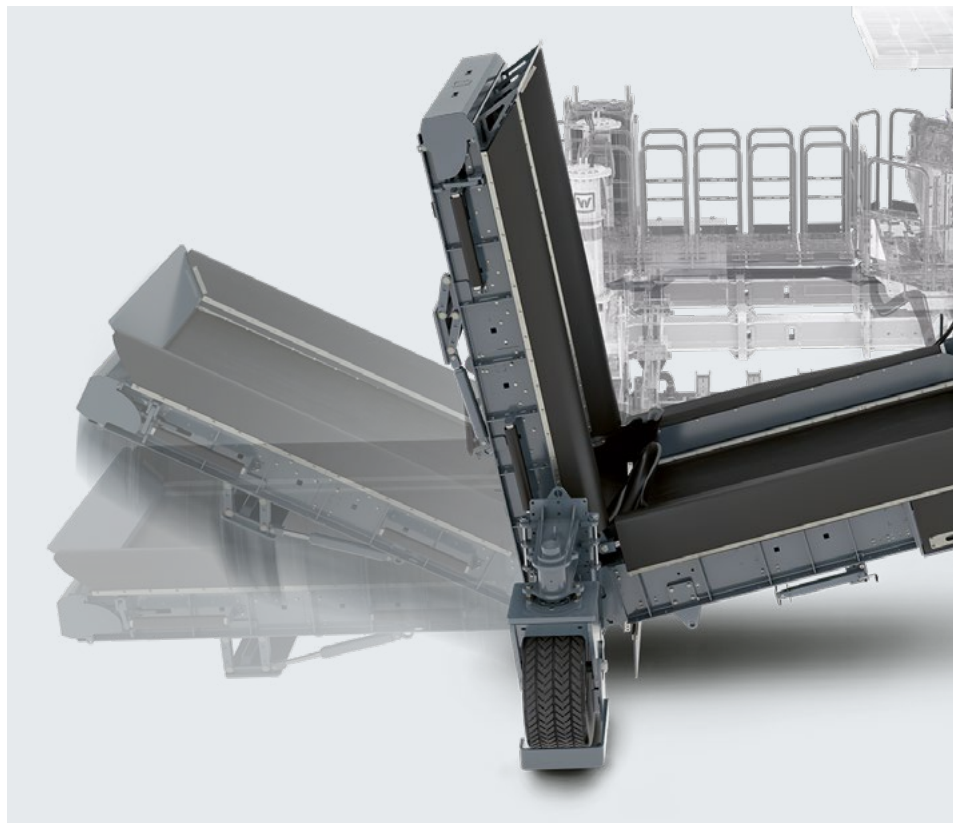
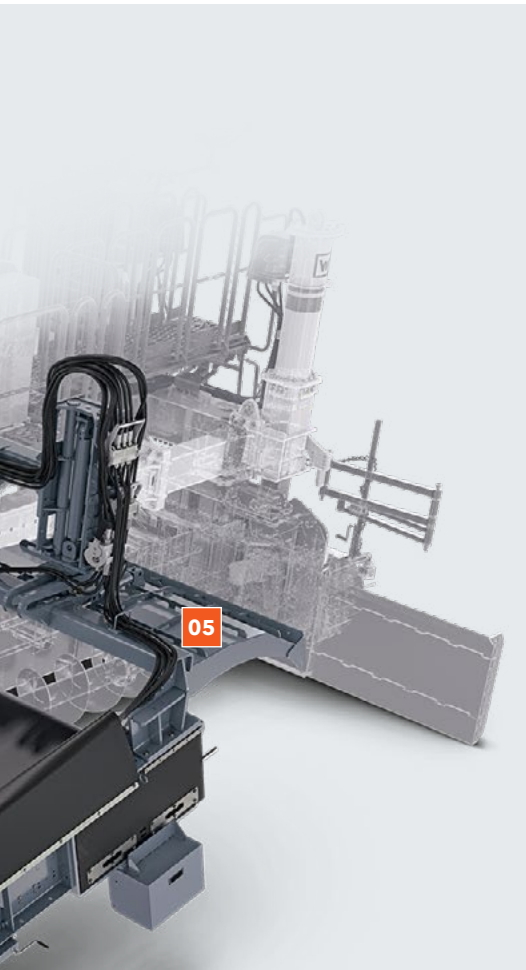
Extension modules with a length of either 90 or 180 cm are available for optimal adaptation of conveyor reach. The extension modules can be easily integrated into the conveyor unit and ensure optimally centred concrete feed independent of the working width.

Hydraulic Functions Standard

Numerous useful concrete feeding functions have been intelligently designed as hydraulic versions standard for fast and reliable operations.

Effective Conveyor Stripper

The modularly positioned scraper below the discharge unit makes it possible to clean the conveyor belt reliably and to reduce wear.



Folding the conveyor up only takes about six seconds.

HEAVY-DUTY CONCRETE UNIT

Heavy-duty Strike-Off Wall

The strike-off wall's width segments, which can be exchanged modularly, are additionally stabilized by the telescope positioned directly behind them.

Height-adjustable Strike-Off Wall

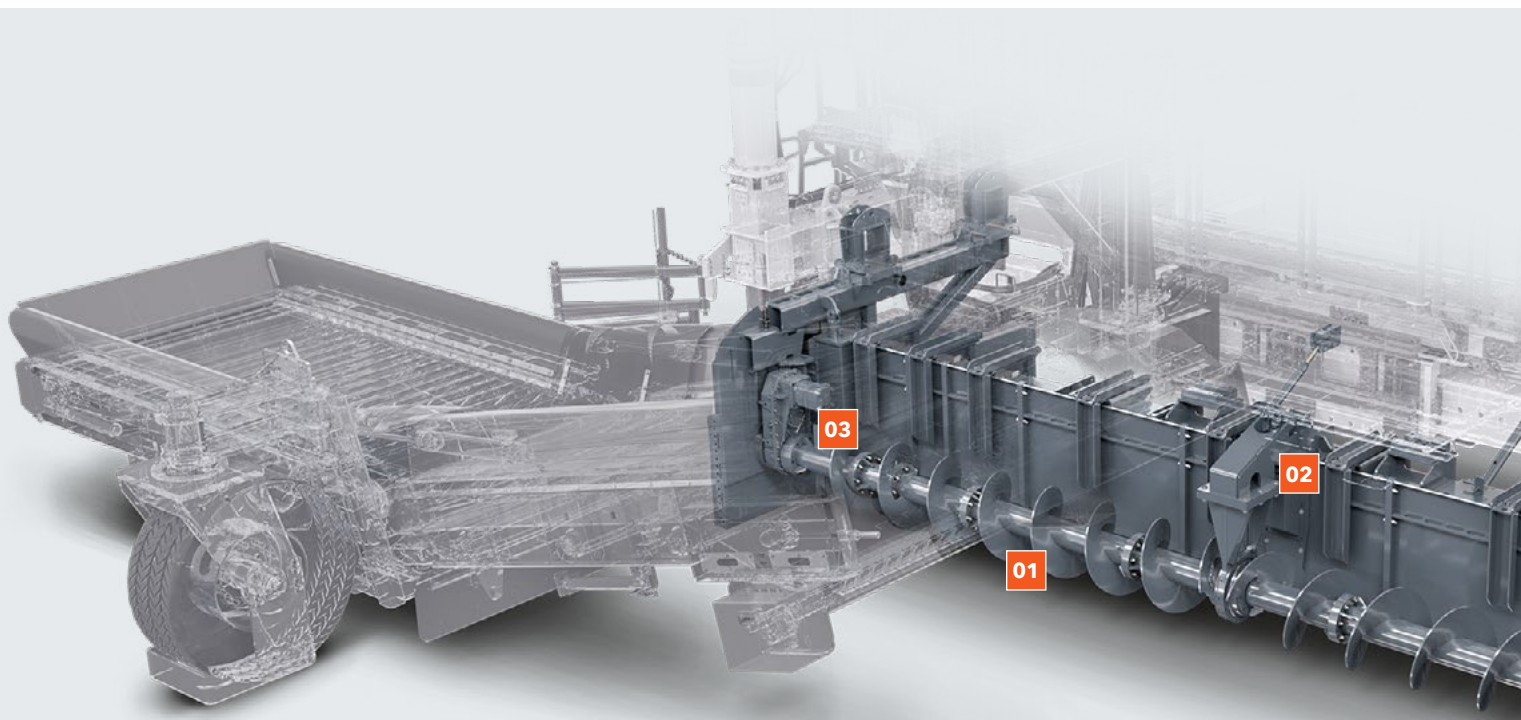
The strike-off wall can be conveniently adapted to the desired concrete paving height by simply pressing a button - and that independent of the actual machine height.

Cleaning Position for Strike-off Wall

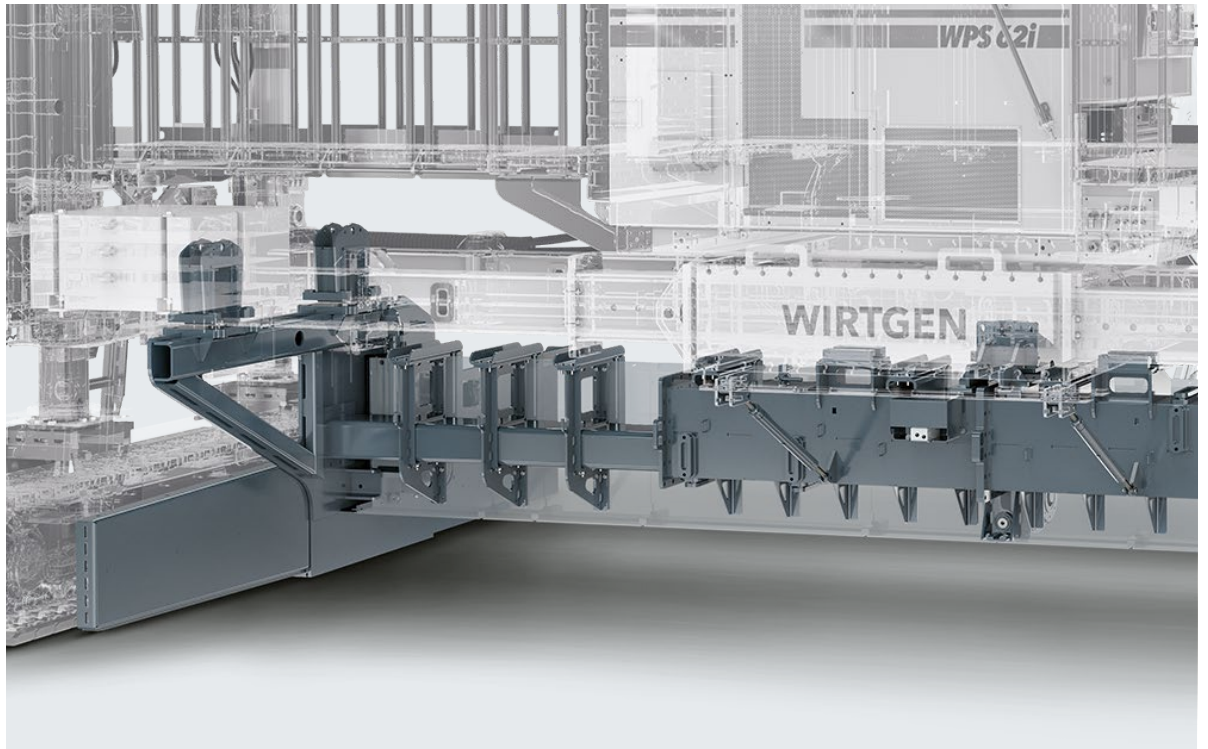
Thanks to the particularly deep cleaning position, the adjustable strike-off wall can be easily and efficiently freed of any concrete adhering to it at the end of the shift.

Remote Control for Strike-Off Wall

An additional remote control allows the operator to automatically adjust the height of the strike-off wall from any position.



Modularly designed strike-off wall with telescope.



01 High-Performance Spreading Auger

In combination with the powerful drive system, the centrally split spreading auger manufactured from highly wear-resistant steel also ensures homogeneous spreading of large amounts of concrete.

02 Central Crown Paving

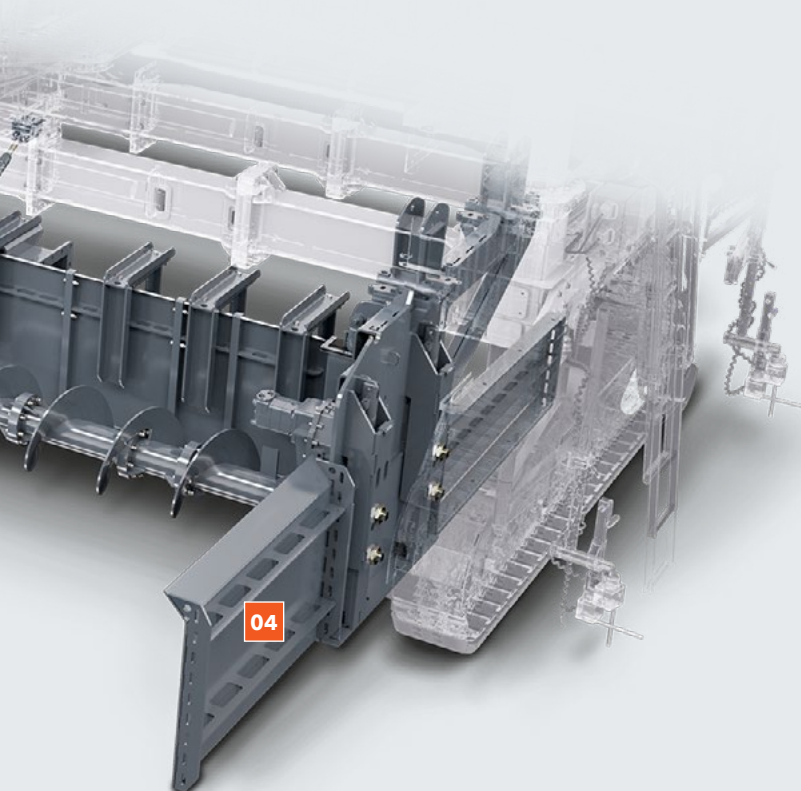
As the height of the two-part strike-off wall can be adjusted at the left, right and centre, it is possible to realise a broad spectrum of concrete profiles with variable crown profiles.

03 Intelligent Cylinder Features

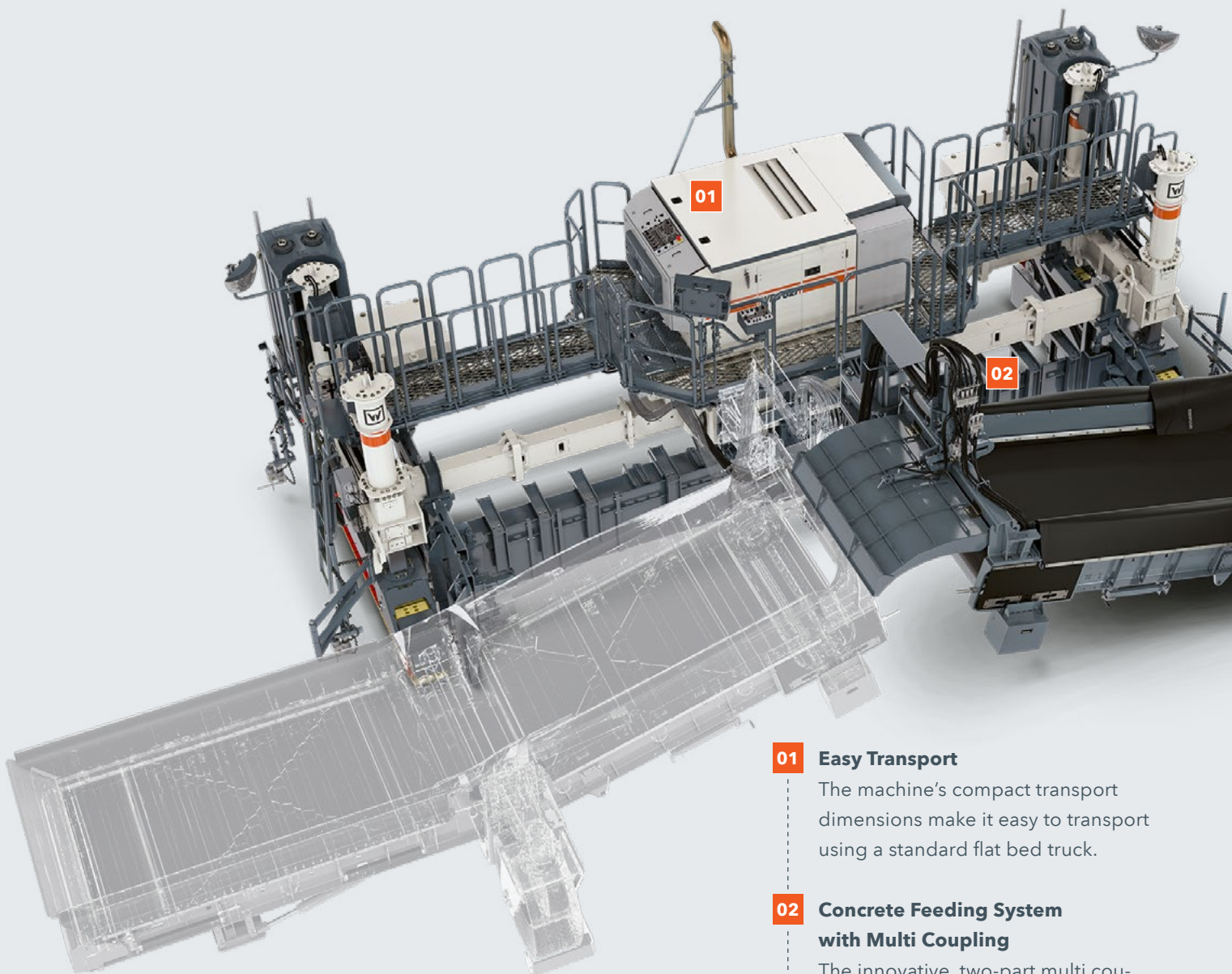
Intelligent, heavy-duty displacement sensors in the hydraulic cylinders directly process measured values to provide maximum ease of operation and support smart machine functions.

04 Height-Adjustable Side Plates

The height of the side plates can be adjusted by up to 500 mm for reliable operation in any application, and offer additional lifting reserves for optimum cleaning of the unit.



SIMPLE CONVERSION AND TRANSPORT

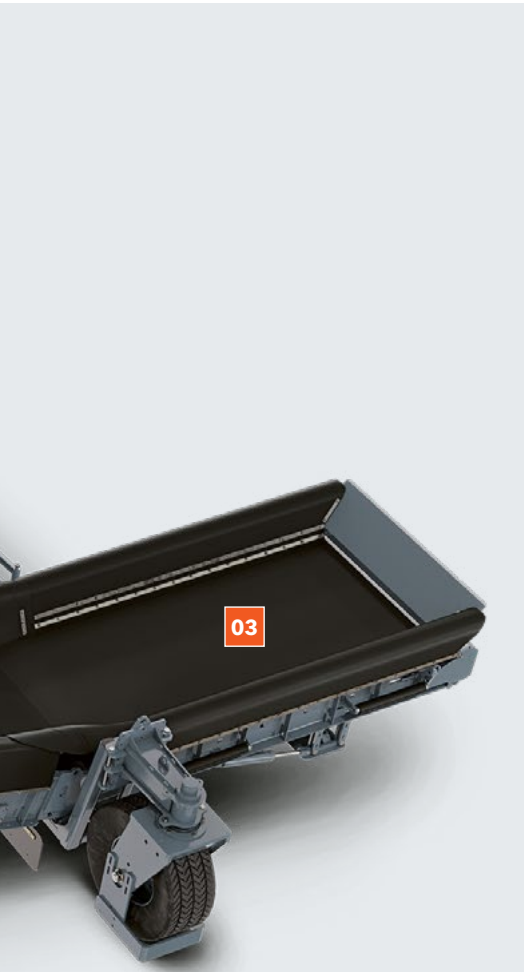


01 Easy Transport

The machine's compact transport dimensions make it easy to transport using a standard flat bed truck.

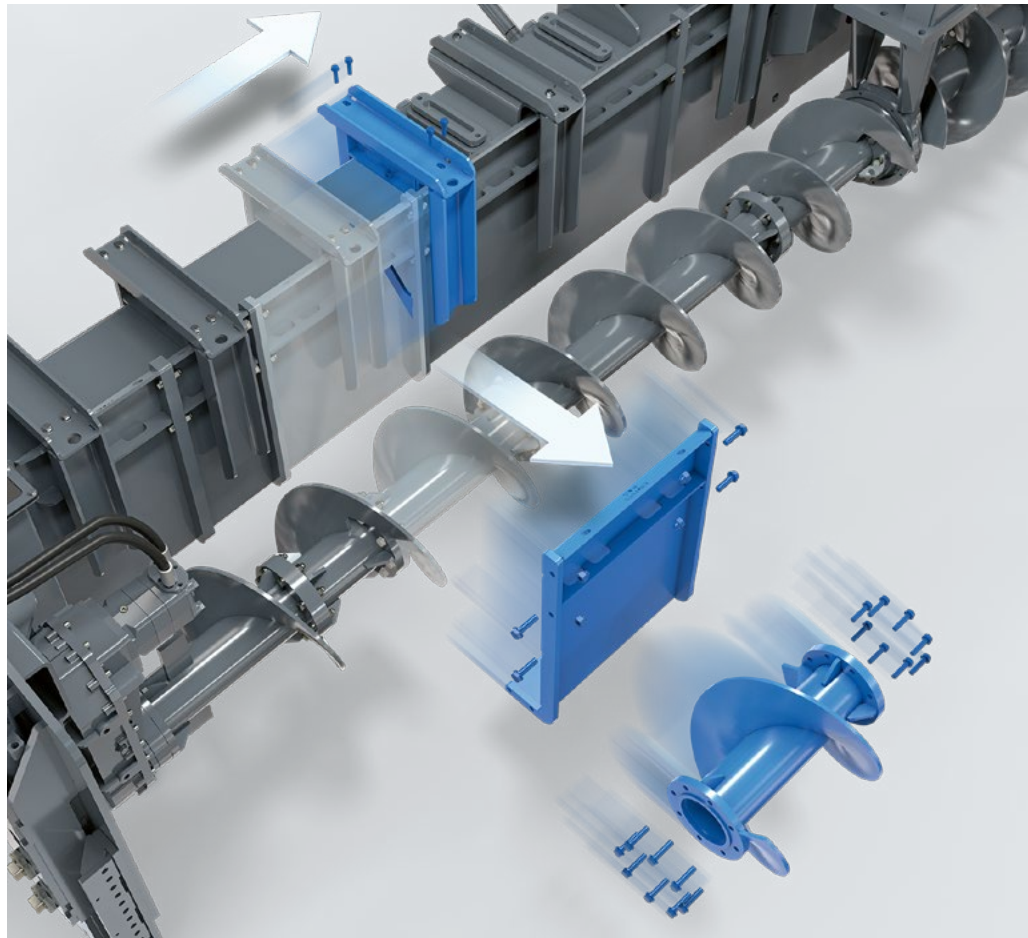
02 Concrete Feeding System with Multi Coupling

The innovative, two-part multi coupling system enables quick and easy coupling of all hydraulic connections when reconfiguring, setting up or transporting the concrete feeding systems.



03 Operation from the Left or Right Side

Depending on site conditions, the concrete feeding system can easily be mounted on the right or left side of the machine.



The working width can be easily adjusted by removing individual segments.

Easy Reconfiguration of the Spreading Auger, Strike-Off Wall and Chassis

Individual segments of the strike-off wall and spreading auger can be attached / removed in just a few simple steps. For this, an array of optional folding stays beneath the engine unit allow the machine to be easily and conveniently supported during width reconfiguration.

Loading Ramps for Easy and Fast Transportation

Optionally available loading ramps make it easier to load the machine onto the transport vehicle and speed up the loading process. The height of the ramps can be easily adjusted, allowing them to be adapted to a variety of transport vehicles.

Machine Reconfiguration without Lifting Equipment

The operator-friendly construction of the placer / spreader means that no lifting equipment is required when changing the paving width (e.g. a crane). Thanks to this, it takes a two-man team less than an hour to change the paving width by one width increment.

The cost-efficient two-track placer/spreader is ideal for high-performance concrete feeding at widths of 4.0 m to 7.5 m (WPS 62(i)) or 4.0 m to 12.0 m (WPS 102 i) and a thickness of 500 mm. The machine concept with a hydraulically telescoping machine frame and concrete strike-off unit makes the machine highly adaptable to any job site situation. The powerful, fast folding feeder conveyor features an intelligent control concept and guarantees maximum concrete availability for the slipform paver following behind it.



TECHNICAL SPECIFICATIONS	WPS 62	WPS 62 i	WPS 102 i
Area of Application			
Road surfacing	Paving width: 4.00 – 7.50 m ¹⁾ Paving height: bis 500 mm ¹⁾		Paving width: 4.00 – 12.00 m ¹⁾ Paving height: bis 500 mm ¹⁾
Strike-off Unit			
Spreading auger	Two-piece, modularly extendable up to 7.50 m		Two-piece, modularly extendable up to 12.00 m
Strike-off wall	Modularly extendable up to 7.50 m		Modularly extendable up to 12.00 m
Intelligent height adjustment	200 mm		
Crown	± 3%		
Concrete Feeding System			
Belt conveyor speed	0 – 3 m/s		
Conveyor belt width	1,600 mm		
Belt conveyor folding process	6 sec		
Engine			
Engine manufacturer	Deutz	Deutz	Cummins
Type	TCD 2012 L6 2V	TCD 6.1 L6	L9 C-310
Cooling	Water		
Number of cylinders	6		
Rated power at 2,300 rpm ¹	155 kW / 208 HP / 211 PS	180 kW / 241 HP / 245 PS	231 kW / 310 HP / 314 PS
Displacement	6,057 cm ³	6,057 cm ³	8,900 cm ³
Sound power level in accordance with EN 500-6, engine operator's platform	≤ 102 dB(A) ≥ 80 dB(A)		≤ 101 dB(A) ≥ 82 dB(A)
Emissions standards	EU Stage 3a / US EPA Tier 3	EU Stage 5 / US EPA Tier 4f	EU Stage 5 / US EPA Tier 4f
Electrical System			
Power supply	24 V DC		

TECHNICAL SPECIFICATIONS	WPS 62	WPS 62 i	WPS 102 i
Tank Capacities			
Fuel	400 l		500 l
AdBlue® / DEF ²⁾	–	32 l	57 l
Hydraulic oil	200 l		250 l
Water	550 l + 550 l		
Driving Performance			
Advance speed while paving	0 - 10 m/min		0 - 5 m/min
Speed in driving gear	0 - 18 m/min		0 - 20 m/min
Crawler Units			
Number	2		
Type B1: Dimensions (L x W x H)	Typ B1: 3,390 x 300 x 660 mm		Typ B4: 3,380 x 500 x 748 mm
Height Adjustment			
Hydraulic	1,100 mm		1,000 mm
Transport dimensions (L x W x H)			
Paving width 4.00 m	5,950 x 3,500 x 3,250 mm		6,110 x 3,600 x 3,300 mm
Paving width (WPS 62(i): 7,50 m / WPS 102 i: 12,00 m)	9,450 x 3,500 x 3,250 mm		14,440 x 3,600 x 3,300 mm
Weight Specifications			
Operating weight CE ³⁾ (at minimum paving width)	34,650 kg		41,760 kg
Operating weight CE ³⁾ (at maximum paving width)	37,480 kg		46,760 kg
Machine transport weight			
> Machine at minimum paving width ⁴⁾	25,440 kg		32,810 kg
> Machine at maximum paving width ⁵⁾	28,260 kg		37,050 kg
Transport weight belt conveyor			
> Belt trailer for belt conveyor	1,500 kg		
> High-performance belt conveyor for feeding concrete from the side, length 6.70 m ⁶⁾	6,000 kg		
> High-performance belt conveyor for feeding concrete from the side, length 7.60 m ⁶⁾	–		6,500 kg
> High-performance belt conveyor for feeding concrete from the side, length 8.50 m ⁶⁾	–		7,000 kg

¹⁾ Special paving widths, paving heights, and options available on request

²⁾ AdBlue® is a registered trademark of the German Association of the Automotive Industry (VDA)

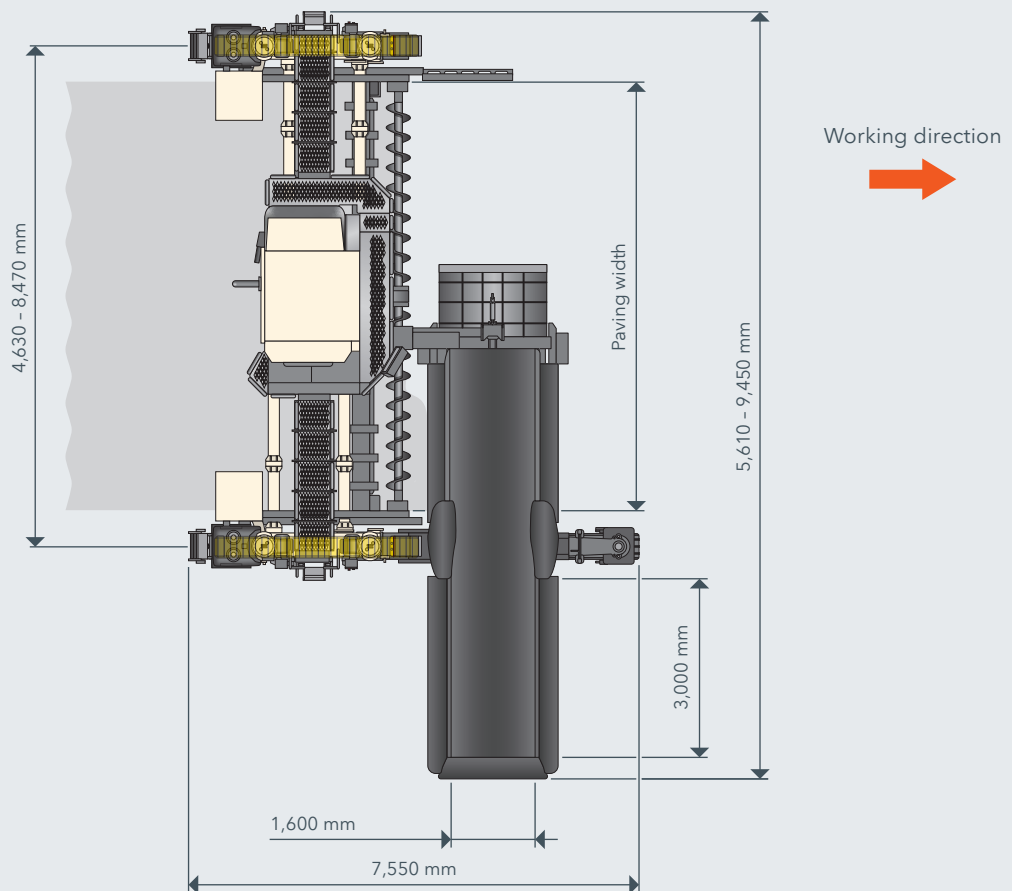
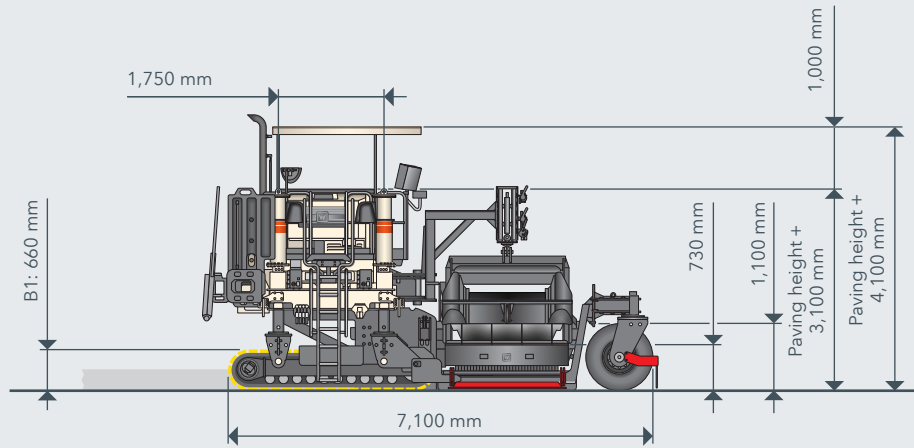
³⁾ Machine weight including machine tractor, concrete unit, half-full fuel tank, half-full water tank, full hydraulic oil tank, vehicle tool kit and machine operator (75 kg), no additional options

⁴⁾ Machine weight including machine tractor, concrete unit and vehicle tool kit, without belt conveyor

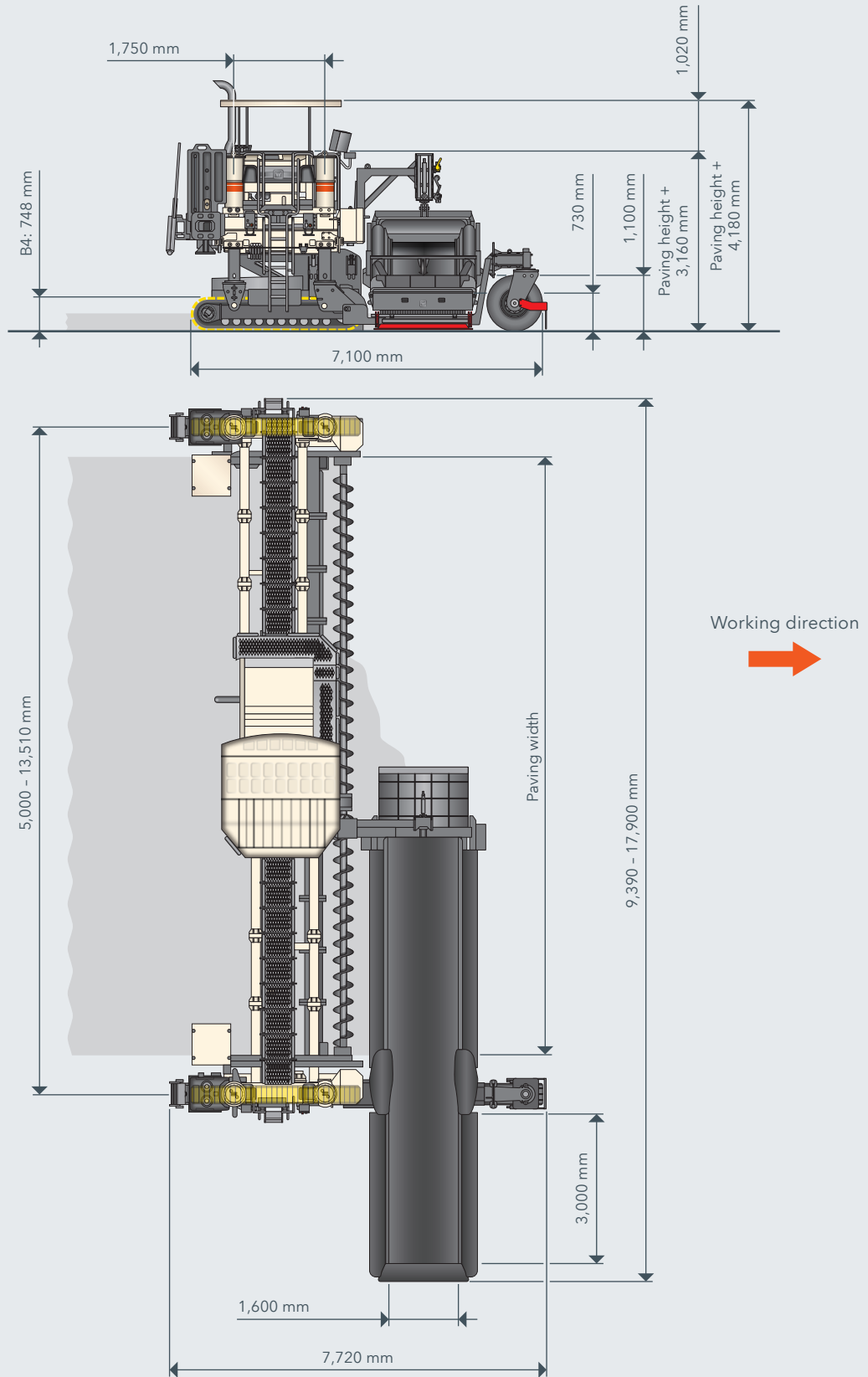
⁵⁾ Machine weight including machine tractor, concrete unit, belt conveyor, half-full fuel tank, half-full hydraulic oil tank and empty water tank, without belt conveyor

⁶⁾ Wheelbase between drums

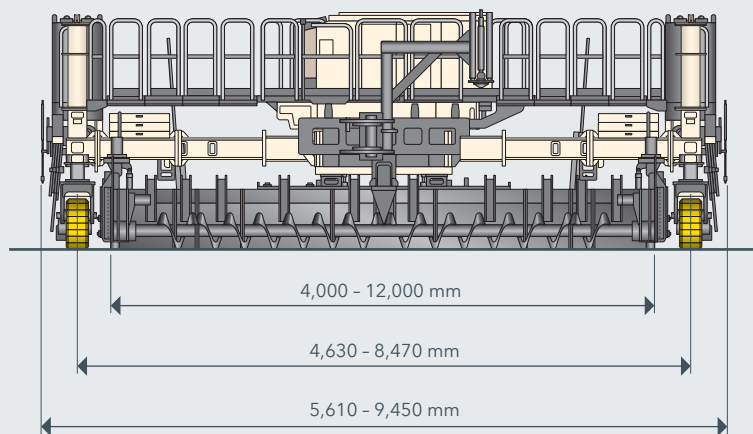
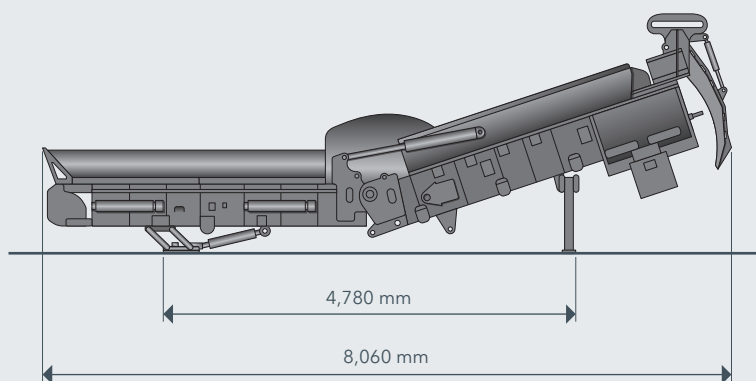
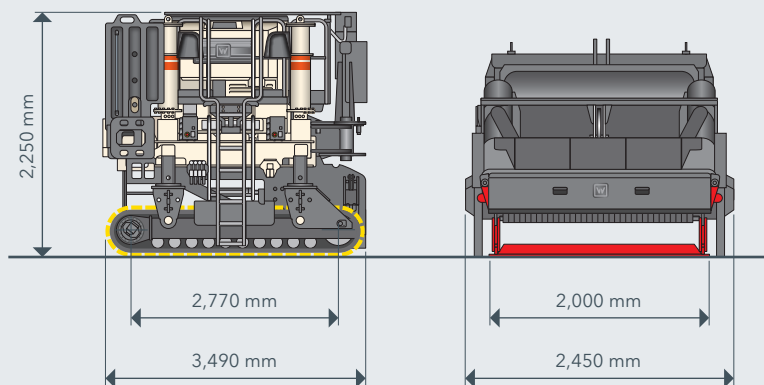
SIDE VIEW / TOP VIEW WPS 62(i), PAVING SITUATION



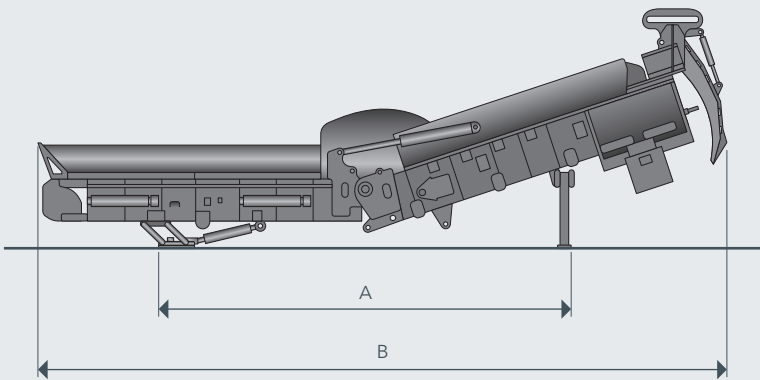
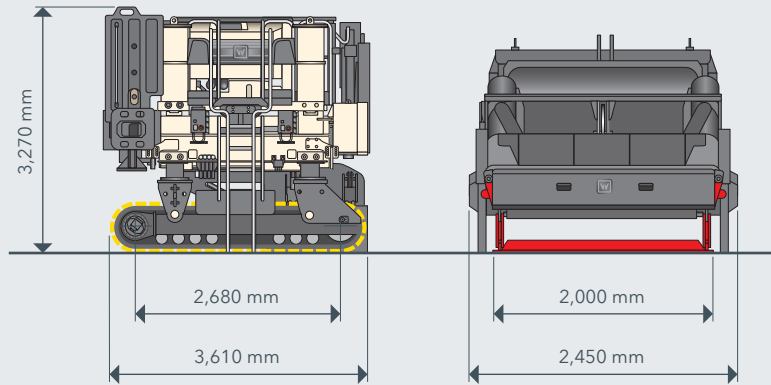
SIDE VIEW / TOP VIEW WPS 102 i, PAVING SITUATION



TRANSPORT SITUATION WPS 62(i)

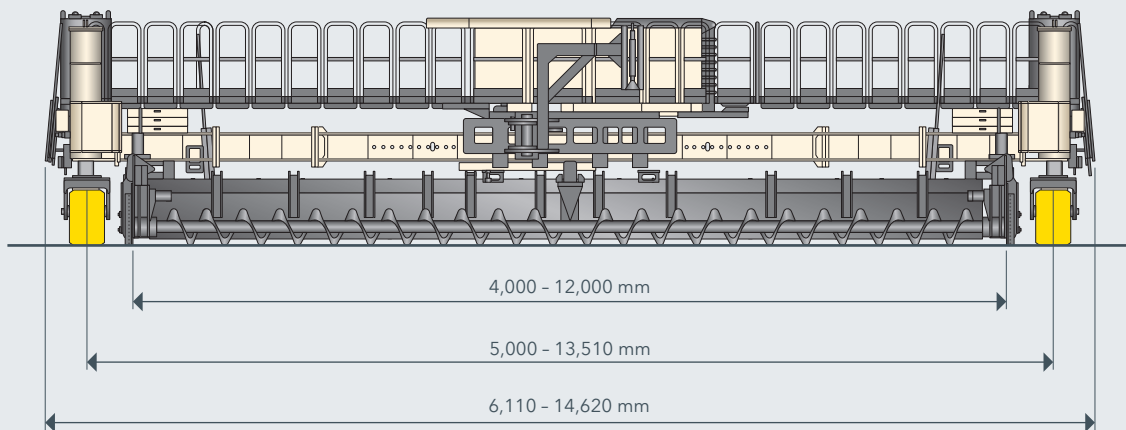


TRANSPORT SITUATION WPS 102 i



BELT CONVEYOR DIMENSIONS

Belt length	A	B
Standard Equipment: 6.70 m	4,780 mm	8,060 mm
Optional Equipment: 7.60 m	5,750 mm	8,980 mm
Optional Equipment: 8.50 m	6,660 mm	9,880 mm



STANDARD EQUIPMENT	WPS 62	WPS 62 i	WPS 102 i
Basic Machine			
> Fuel tank 400 litres	■	■	■
> Electrical system (24 V)	■	■	■
> Cooling system with temperature-controlled fan speed	■	■	■
> Hydraulic system including an generously dimensioned hydraulic oil tank and a pump transfer gearbox with two output shafts and the pumps required for the machine's basic equipment package	■	■	■
Main Frame and Height Adjustment			
> Heavy-duty steel frame, telescopic by a total of 1,500 mm on both sides, can be optionally extended using fixed-width extension elements	■	■	—
> Heavy-duty steel frame, telescopic by a total of 2,480 mm on both sides, can be optionally extended using fixed-width extension elements	—	—	■
> The machine frame is pre-fitted with multiple mounting points for the modular addition of a variety of equipment features	■	■	■
> A concrete equipment of 4.00 m can be connected to the frame; optionally extendable to working widths up to 7.50 m	■	■	—
> Concrete equipment from 4.00 m to 12.00 m can be connected to the frame	—	—	■
> Frame sections for mechanical telescoping in increments to working widths of up to 4.50 m	■	■	—
> Frame sections for continuous hydraulic telescoping to working widths of up to 6.80 m, including extension elements	—	—	■
Concrete Spreading Equipment for Slab Paving			
> Concrete placing unit, consisting of a two-part spreading auger and a height-adjustable strike-off unit, basic width 4.00 m	■	■	■
Crawler Units and Chassis Linkage			
> Paving speed with B1 track units: 0 to 10 m/min	■	■	—
> Paving speed with B4 track units: 0 to 5 m/min	—	—	■
> Transport speed with B1 track units: 0 to 18 m/min	■	■	—
> Transport speed with B4 track units: 0 to 20 m/min	—	—	■
> Model with two B1 track units (10 rollers), fitted with triple-grouser steel track pads, width 300 mm	■	■	—
> Model with two B4 track units (8 rollers), fitted with triple-grouser steel track pads, width 500 mm	—	—	■
Machine Control, Levelling and Steering			
> WI-CONTROL - high-quality control system ensuring perfect interaction between all machine features	■	■	■
> Error messages are displayed on the machine's control screen	■	■	■
> The existing CAN-bus system can be expanded to customer specifications	■	■	■
> ECO mode: performance-optimized engine management system for reduced diesel consumption and low noise emissions	■	■	■
> Proportional electrohydraulic leveling and steering by means of a PLC system including four leveling sensors and two steering sensors	■	■	■
> Sensor mounting brackets, adjustable in height and range	■	■	■
> An electronic slope sensor enables paving with a working width of 4.00 m / 13 ft with a stringline on only one side	■	■	■
> Four hydraulic leveling cylinders with a stroke of 1.10 m each	■	■	■

STANDARD EQUIPMENT	WPS 62	WPS 62i	WPS 102i
Concrete Feeding System			
> Powerful conveyor belt used to feed concrete from the side, length 6.70 m	■	■	■
Operator's Platform			
> Ergonomically designed operator's platform providing a perfect view of the paving process	■	■	■
> Three control panels with clear, language-independent labelling for ergonomic operation	■	■	■
> Control panel 1 for machine setup according to site requirements	■	■	■
> Control panel 2 with multifunctional control screen providing the operator with all relevant machine parameters and allowing settings to be made via a menu; the control panel can be adjusted to all directions of travel and paving configurations	■	■	■
> Control panel 3 for controlling concrete feeding and spreading	■	■	■
> Two control panels can be stored in the engine compartment; the third control panel can be protected against vandalism and weather by means of a lockable cover	■	■	■
> Automatic recognition of each machine configuration provides easy orientation for the machine operator	■	■	■
Miscellaneous			
> Large tool kit in lockable tool box	■	■	■
> Comprehensive safety package with EMERGENCY STOP switches	■	■	■
> Pre-fitting for installing the WITOS FleetView control unit	■	■	■
> Filling of the machine's hydraulic system with mineral hydraulic oil	■	■	■
> Standard painting in RAL 9001 (cream)	■	■	■
> WITOS - professional telematics solution for machine operation and service optimisation	■	■	■
> Lighting system including 4 halogen working lights, 24 V	■	■	■

■ = Standard equipment

■ = Standard equipment, can be replaced with optional equipment if desired

□ = Optional equipment

OPTIONAL EQUIPMENT	WPS 62	WPS 62 i	WPS 102 i
Main Frame and Height Adjustment			
> Frame sections for continuous hydraulic telescoping for working widths up to 6.25 m	<input type="checkbox"/>	<input type="checkbox"/>	—
> Frame sections for continuous hydraulic telescoping for working widths up to 7.50 m	<input type="checkbox"/>	<input type="checkbox"/>	—
> Frame sections for continuous hydraulic telescoping for working widths up to 9.50 m	—	—	<input type="checkbox"/>
> Frame sections for continuous hydraulic telescoping for working widths up to 12.30 m	—	—	<input type="checkbox"/>
> Extension of walkway allowing the operator to pass from one side of the machine to the other for working widths of up to 6.00 m	—	—	—
> Extension of walkway allowing the operator to pass from one side of the machine to the other for working widths of up to 7.50 m	<input type="checkbox"/>	<input type="checkbox"/>	—
> Extension of walkway allowing the operator to pass from one side of the machine to the other, 9.50 m	<input type="checkbox"/>	<input type="checkbox"/>	—
> Extension of walkway allowing the operator to pass from one side of the machine to the other, 12.30 m	—	—	<input type="checkbox"/>
Concrete Spreading Equipment for Slab Paving			
> Extension for concrete placing unit 0.25 m on the left - spreading auger and strike-off wall	<input type="checkbox"/>	<input type="checkbox"/>	<input type="checkbox"/>
> Extension for concrete placing unit 0.50 m on the left - spreading auger and strike-off wall	<input type="checkbox"/>	<input type="checkbox"/>	<input type="checkbox"/>
> Extension for concrete placing unit 0.75 m on the left - spreading auger and strike-off wall	<input type="checkbox"/>	<input type="checkbox"/>	<input type="checkbox"/>
> Extension for concrete placing unit 1.00 m on the left - spreading auger and strike-off wall	<input type="checkbox"/>	<input type="checkbox"/>	<input type="checkbox"/>
> Extension for concrete placing unit 1.00 m on the left - spreading auger and strike-off wall	—	—	<input type="checkbox"/>
> Extension for concrete placing unit 2.00 m on the left - spreading auger and strike-off wall	—	—	<input type="checkbox"/>
> Extension for concrete placing unit 0.25 m on the right - spreading auger and strike-off wall	<input type="checkbox"/>	<input type="checkbox"/>	<input type="checkbox"/>
> Extension for concrete placing unit 0.50 m on the right - spreading auger and strike-off wall	<input type="checkbox"/>	<input type="checkbox"/>	<input type="checkbox"/>
> Extension for concrete placing unit 0.75 m on the right - spreading auger and strike-off wall	<input type="checkbox"/>	<input type="checkbox"/>	<input type="checkbox"/>
> Extension for concrete placing unit 1.00 m on the right - spreading auger and strike-off wall	<input type="checkbox"/>	<input type="checkbox"/>	<input type="checkbox"/>
> Extension for concrete placing unit 1.50 m on the right - spreading auger and strike-off wall	—	—	<input type="checkbox"/>
> Extension for concrete placing unit 2.00 m on the right - spreading auger and strike-off wall	—	—	<input type="checkbox"/>
> Model without concrete spreading	<input type="checkbox"/>	<input type="checkbox"/>	<input type="checkbox"/>
Crawler Units and Chassis Linkage			
> Model with two B1 track units (10 rollers), fitted with polyurethane track pads, width 300 mm	<input type="checkbox"/>	<input type="checkbox"/>	—
> Model with two B1 crawler units (10 rollers), with triple grouser steel track pads, width 450 mm	<input type="checkbox"/>	<input type="checkbox"/>	—
> Model with two B1 track units (10 rollers), fitted with polyurethane track pads, width 450 mm	<input type="checkbox"/>	<input type="checkbox"/>	—
> Model with two B4 track units (8 rollers), fitted with polyurethane track pads, width 500 mm	—	—	<input type="checkbox"/>
Machine Control, Levelling and Steering			
> Cross-slope sensor	<input type="checkbox"/>	<input type="checkbox"/>	<input type="checkbox"/>
> Self-leveling feature for transport mode	<input type="checkbox"/>	<input type="checkbox"/>	<input type="checkbox"/>
> Two slab tracers	<input type="checkbox"/>	<input type="checkbox"/>	<input type="checkbox"/>
> Four slab tracers	<input type="checkbox"/>	<input type="checkbox"/>	<input type="checkbox"/>
> Control unit for manual track unit steering	<input type="checkbox"/>	<input type="checkbox"/>	<input type="checkbox"/>
> Pre-fitting for 3D leveling	<input type="checkbox"/>	<input type="checkbox"/>	<input type="checkbox"/>
> Additional slope sensors for 3D leveling	<input type="checkbox"/>	<input type="checkbox"/>	<input type="checkbox"/>
> AutoPilot 2.0 (868 - 870 MHz) with Field Rover	<input type="checkbox"/>	<input type="checkbox"/>	<input type="checkbox"/>
> Amplifier to extend the range of the AutoPilot signal. Radio frequency: 868 - 870 MHz.	<input type="checkbox"/>	<input type="checkbox"/>	<input type="checkbox"/>
> Laser transmitter for AutoPilot 2.0 including stand	<input type="checkbox"/>	<input type="checkbox"/>	<input type="checkbox"/>
> Laser receiver for AutoPilot 2.0	<input type="checkbox"/>	<input type="checkbox"/>	<input type="checkbox"/>
> Ultrasonic sensor for AutoPilot 2.0	<input type="checkbox"/>	<input type="checkbox"/>	<input type="checkbox"/>

OPTIONAL EQUIPMENT	WPS 62	WPS 62i	WPS 102i
Machine Control, Levelling and Steering			
> Additional tablet computer with case for AutoPilot 2.0	<input type="checkbox"/>	<input type="checkbox"/>	<input type="checkbox"/>
> Total station Leica iCON iCR80s for AutoPilot 2.0, 868-870MHz	<input type="checkbox"/>	<input type="checkbox"/>	<input type="checkbox"/>
Concrete Feeding System			
> Powerful conveyor belt used to feed concrete from the side, length 7.60 m	—	—	<input type="checkbox"/>
> Powerful conveyor belt used to feed concrete from the side, length 8.50 m	—	—	<input type="checkbox"/>
> Model without concrete feeding	<input type="checkbox"/>	<input type="checkbox"/>	<input type="checkbox"/>
Operator's Platform			
> Weather canopy for operator's platform with manual fold-down feature	<input type="checkbox"/>	<input type="checkbox"/>	—
> Weather canopy for operator's platform, hydraulically telescoping in height	—	—	<input type="checkbox"/>
> Weather canopy for operator's platform, hydraulically telescoping in height, with LED lighting	—	—	<input type="checkbox"/>
Miscellaneous			
> Painting in one special color (RAL)	<input type="checkbox"/>	<input type="checkbox"/>	<input type="checkbox"/>
> Painting in two special colours (RAL)	<input type="checkbox"/>	<input type="checkbox"/>	<input type="checkbox"/>
> Model without WITOS	<input type="checkbox"/>	<input type="checkbox"/>	<input type="checkbox"/>
> High-performance lighting system including 8 LED working lights, 24 V	<input type="checkbox"/>	<input type="checkbox"/>	<input type="checkbox"/>
> Hydraulic high-pressure water cleaning system with 550-l plastic tank	<input type="checkbox"/>	<input type="checkbox"/>	<input type="checkbox"/>
> Two hydraulic high-pressure water cleaning systems with two 550 l plastic tanks	<input type="checkbox"/>	<input type="checkbox"/>	<input type="checkbox"/>
> Additional plastic water tank, 550 l	<input type="checkbox"/>	<input type="checkbox"/>	<input type="checkbox"/>
> Additional electrical water pump, 24 V, with 10 m hose and spray gun with handle	<input type="checkbox"/>	<input type="checkbox"/>	<input type="checkbox"/>
> Rotating beacon, halogen 24 V, with magnetic base	<input type="checkbox"/>	<input type="checkbox"/>	<input type="checkbox"/>
> Two flashing beacons, 24 V, with magnetic base	<input type="checkbox"/>	<input type="checkbox"/>	<input type="checkbox"/>
> 2 integrated supports underneath the chassis to enable the width of the machine frame to be easily adjusted	<input type="checkbox"/>	<input type="checkbox"/>	<input type="checkbox"/>
> Radio remote control used to adjust the height of the strike-off wall	<input type="checkbox"/>	<input type="checkbox"/>	<input type="checkbox"/>
> Camera system consisting of 1 camera and 1 screen, expandable to up to 6 cameras	<input type="checkbox"/>	<input type="checkbox"/>	<input type="checkbox"/>
> Additional camera as an extension to an existing camera system	<input type="checkbox"/>	<input type="checkbox"/>	<input type="checkbox"/>
> Two LED floodlights including power generator (230 V)	<input type="checkbox"/>	<input type="checkbox"/>	<input type="checkbox"/>
> Two LED floodlights including power generator (110 V)	<input type="checkbox"/>	<input type="checkbox"/>	<input type="checkbox"/>
> Two LED floodlights 24 V	<input type="checkbox"/>	<input type="checkbox"/>	<input type="checkbox"/>
> High-performance lighting system including 4 LED working lights, 24 V, for illuminating the compaction compartment	<input type="checkbox"/>	<input type="checkbox"/>	<input type="checkbox"/>
> 230 volt power generator, hydraulically driven, rated power of 4 kW	<input type="checkbox"/>	<input type="checkbox"/>	<input type="checkbox"/>
> 110 volt power generator, hydraulically driven, rated power of 4 kW	<input type="checkbox"/>	<input type="checkbox"/>	<input type="checkbox"/>
> Stringline tensioning system, complete with 1,000 m steel wire rope	<input type="checkbox"/>	<input type="checkbox"/>	<input type="checkbox"/>
> Additional tensioning winch for stringline tensioning system	<input type="checkbox"/>	<input type="checkbox"/>	<input type="checkbox"/>
> Stringline tensioning system, complete with 4 x 300 m nylon rope	<input type="checkbox"/>	<input type="checkbox"/>	<input type="checkbox"/>
> Export packaging	<input type="checkbox"/>	<input type="checkbox"/>	<input type="checkbox"/>

■ = Standard equipment

■ = Standard equipment, can be replaced with optional equipment if desired

□ = Optional equipment

**WIRTGEN GmbH**

Reinhard-Wirtgen-Str. 2
53578 Windhagen
Germany

T: +49 2645 131-0
F: +49 2645 131-392
M: info@wirtgen.com

 www.wirtgen.de



For further information, please scan the code.