

Effective rear loader for cost-effective milling operations

COLD MILLING MACHINE

W 100 R(i) | W 120 R(i)



THE EFFECTIVE REAR LOADER FOR COST-EFFECTIVE MILLING OPERATIONS



The high-performance cold milling machine in the one-meter class is designed for cost-effective milling operations at working widths of 1.0 m or 1.2 m.

The machine covers a wide range of applications, from milling surface layers to complete pavement removal.

The machine can be equipped with a large number of different milling drums, increasing flexibility and machine utilization.

The **LEVEL PRO PLUS** leveling system fully integrated into the machine control system guarantees high-precision milling results.

The high-performance rear loading system can be flexibly adjusted for optimum loading of the milled material.

WIRTGEN COLD MILLING MACHINES



SMALL MILLING MACHINES
> Milling width to 1,300 mm
> Milling depth to 300 mm

COMPACT MILLING MACHINES
> Milling width to 1,900 mm
> Milling width to 330 mm

LARGE MILLING MACHINES
> Milling width to 4,400 mm
> Milling width to 350 mm

OVERVIEW OF HIGHLIGHTS

Perfectly Equipped

01 High-Precision, Intuitive Leveling with LEVEL PRO PLUS

- > Simple, intuitive operation
- > Fully integrated into the machine control system
- > Numerous new additional and automatic functions
- > Milling depth measurement via displacement sensors installed in the hydraulic side plate cylinders
- > Ultrasonic sensor in the extendable leveling boom on the left side of the machine

02 Efficient Multifunctional Armrest

- > Ergonomically designed multifunctional armrest with color control screen
- > Job data displayed on the control screen
- > User-programmable favorites buttons

03 Perfect View of Important Working Areas

- > Unobstructed view of the right side plate
- > Excellent visibility to the rear
- > High-quality camera / monitor system for viewing important working areas

04 Outstanding Ergonomics and Ease of Operation

- > Ergonomically designed comfort operator's seat including seat heater
- > Electrical filling level indicator for the water tank
- > Convenient access with "welcome and go home" lighting
- > Operator's platform features wind and weather protection elements



05 Quick and Precise Maneuvering

- > Up to 7.5 km/h travel speed
- > Ability to reverse with milling drum engaged
- > Fast, precise height adjustment
- > Memory function for height adjustment
- > Electronically controlled travel drive for high-precision milling

06 Maneuverable and Compact Machine

- > Front wheels have a large steering angle for small turning radii
- > Fast steering using the steering wheel
- > High-precision steering via joystick in multifunctional armrest
- > Compact machine dimensions

07 Maximum Functionality when Milling

- > Comes standard with extremely wear-resistant HT22 toolholder system
- > Hydraulic pick ejector for fast pick changes
- > Hydraulically lifting side plates with proactive floating position to automatically lift on loose ground
- > Scraper lifted automatically via overload sensor
- > Water spray quantity electrically adjustable from the operator's platform

08 Flexible, High-Performance Loading

- > Hydraulic folding conveyor for quick folding during operation on site
- > Wide conveyor swing angles
- > Quick-release coupling for easy mounting and demounting of the discharge conveyor

**09 High Efficiency for Tremendous Productivity**

- > Variable additional weights up to 400 kg
- > Automatic WIDRIVE functions significantly reduce operator intervention, allowing for one-person operation
- > Automatic positioning function with relief sensors
- > Hydraulically switching power belt tensioner
- > State-of-the-art WITOS FleetView telematics system for efficient operations
- > Optimized serviceability

Low Environmental Emissions

- 10** > Engine models for EU Stage 3a / US EPA Tier 3 or for stringent EU Stage 5 / US EPA Tier 4f emissions standards
- > Standard diesel particulate filter for EU Stage 5 / US EPA Tier 4f
- > Three different milling drum speeds
- > Optimized sound and heat insulation
- > Speed-controlled cooling fan drive

HIGH-PRECISION, INTUITIVE LEVELING WITH LEVEL PRO *PLUS*

When milling, it's important to remove the layers of asphalt at the specified depth. WIRTGEN's intuitive **LEVEL PRO *PLUS*** leveling technology can be relied on to precisely maintain the specified milling depth.

Simple, Intuitive Operation **LEVEL PRO *PLUS***

The **LEVEL PRO *PLUS*** leveling system developed especially for cold milling machines offers easy and intuitive one-hand operation using the rotary knob, and the menu can be configured as desired. **LEVEL PRO *PLUS*** stands out due to its precise milling results.

Fully Integrated

The **LEVEL PRO *PLUS*** leveling system is fully integrated into the machine control system, enabling a high degree of automation.

Additional and Automatic Functions

The **LEVEL PRO *PLUS*** leveling system offers many automatic and additional functions that make the operator's job easier. This also speeds up work processes.

Displacement Sensors

The reference line is scanned via heavy-duty displacement sensors built into the hydraulic side plate cylinders and displayed directly on the high-resolution **LEVEL PRO *PLUS*** control screen.

Leveling Boom

The telescoping leveling boom with an ultrasonic sensor for scanning references located up to 2.0 m to the left of the machine guarantees perfect milling results, even when performing complex leveling jobs.

01

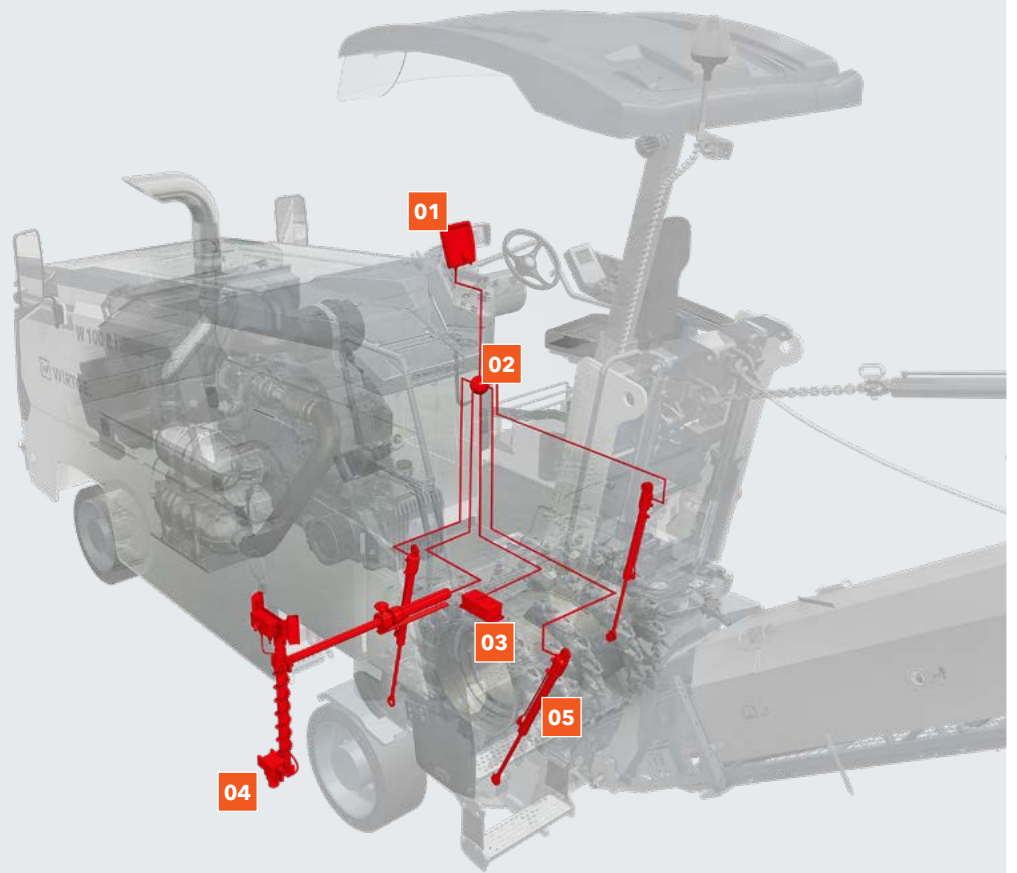


Always Makes the Grade
LEVEL PRO *PLUS*

Use the Best Reference
Left leveling boom with 2 m extension

02

- 01** LEVEL PRO *PLUS* display
- 02** Machine control system
- 03** Cross-slope sensor
- 04** Leveling boom with ultrasonic sensor
- 05** Hydraulic side plate cylinders with displacement sensors



01 LEVEL PRO *PLUS* is synonymous with perfect leveling quality at high operating speeds.

02 The leveling system uses a variety of different sensors.

03 Easy operation guarantees an efficient leveling process.

03



EFFICIENT MULTIFUNCTIONAL ARMREST

The W 100 R(i) / W 120 R(i) is equipped with an efficient multifunctional armrest that not only speeds up processes and improves results, but also results in a more satisfied operator.

Ergonomically Designed Multifunctional Armrest

The multifunctional, individually adjustable armrest combines innovative design with perfect user-friendliness. Important information is displayed in color on the control screen. The multifunctional armrest is also precisely integrated into the universal operating concept for the entire WIRTGEN small milling fleet, and it enables productive working from the outset.

Job Data

Information like the weight and volume of the milled material, the size of milled areas, or the number of loaded trucks can be displayed automatically. This job data can be used to log daily performance.

Favorites Buttons

Four buttons can be programmed with twenty different functions as required by the operator.

01



Everything under Control

Ergonomic multifunctional armrest

At a Glance

Color display with essential information



- 01** The operator has everything under control with just one hand.
- 02** The ergonomically designed operator's platform with multifunctional armrest significantly increases the machine's productivity.

PERFECT VIEW OF IMPORTANT WORKING AREAS

Excellent visibility quickly pays off. The well-designed visibility concept of the W 100 R(i) / W 120 R(i) significantly reduces the operator's workload, resulting in better milling results.

Unobstructed View of the Right Side Plate

The optimized shape of the operator's platform offers an unobstructed view of the right side plate and in front of the milled surface.

Excellent Visibility to the Rear

The compact design of the discharge conveyor's suspension

system ensures that the operator has a clear view of the milled surface behind the machine.

High-Quality Camera / Monitor System

The camera / monitor system consists of two cameras and a heavy-duty monitor. The monitor provides a high-resolution view of the loading situation from the cameras at the end of the discharge conveyor and of the area in front of the milling drum housing below the machine.



01 The camera's ability to see and display key work areas enhances performance and quality. **02** The operator always has an unobstructed view of the right side plate.



Complete Concentration on the Milling Process

Optimum vision plus an effective camera system

OUTSTANDING ERGONOMICS AND EASE OF OPERATION

Stress-free operating

Comfort Operator's Seat

Well Protected

Wind and weather protection elements



01 The machine's high comfort standards enable fatigue-free, productive working.

A wide variety of different equipment features, individual adjustment options, and features that make operating the machine easier significantly enhance operator comfort. The result is maximum productivity on site.

Comfort Operator's Seat

The ergonomically designed operator's seat with seat heating, which rotates to the right and left, ensures that the operator has outstanding visibility to the side and to the rear.

Electrical Water Filling Level Indicator

The operator can conveniently check the level of the water tank via the control screen.

"Welcome" and "Go Home" Lighting

The access ladder and operator's platform can be brightly illuminated when approaching and walking away from the machine.

Weather Protection

Additional wind and weather protection elements on the operator's platform protect the operator from exposure to rain and wind.

QUICK AND PRECISE MANEUVERING

Driving and steering innovations increase efficiency during day-to-day job site operations. The small milling machine is compact and maneuverable, allowing it to be moved quickly from site to site.

Maximum Speed of 7.5 km/h

The machine's travel speed of up to 7.5 km/h helps complete jobs particularly quickly.

Ability to Reverse with Milling Drum Engaged

The ability to reverse with the milling drum engaged makes it possible to maneuver quickly and easily on the job site.

Rapid Height Adjustment

The electrohydraulic height adjustment system allows the operator to set the milling depth quickly and precisely.

Memory Function for Height Adjustment

For fast, convenient height adjustment, it's possible to save up to three different height positions per machine side to memory buttons on the multifunctional armrest.

Electronically Controlled Travel Drive

The electronically controlled travel drive with two transport speeds and two milling speeds makes fine maneuvering possible when very precise milling is required.



Time-Saving Realization

Up to 7.5 km/h advance speed

Comfortable Milling

Fast, savable height settings

01 The small milling machine excels at fast maneuvering on narrow job sites.

02 The electronically controlled travel drive makes high-precision milling possible - such as around road installations, for example.

03 When pivoted in, the right rear wheel makes precise milling along obstacles such as curbs and walls possible.



MANEUVERABLE AND COMPACT MACHINE

Fast maneuvering

Large Steering Angles

Absolute Steering Precision

Precision Steering

01





01 The machine's impressive steering angles make operations on narrow job sites easier.

02 Compact machine dimensions make loading and transport easier.

The W 100 R(i) / W 120 R(i) small milling machine is an expert in tight curves and urban environments, making small turning radii and precise milling possible in any job site situation.

Large Steering Angles

The large steering angles to the left and right guarantee small turning radii and thus rapid maneuvering, even in tight spaces.

Fast Steering

In situations where the operator needs to steer particularly fast, the machine can be steered as always using the steering wheel.

Precision Steering

The highly responsive hydraulic steering system allows the operator to steer the machine precisely and smoothly, including via the right-hand multifunctional armrest.

Compact Machine Dimensions

Thanks to its compact design, the small milling machine can mill in confined spaces and is easy to transport.



MAXIMUM FUNCTIONALITY WHEN MILLING

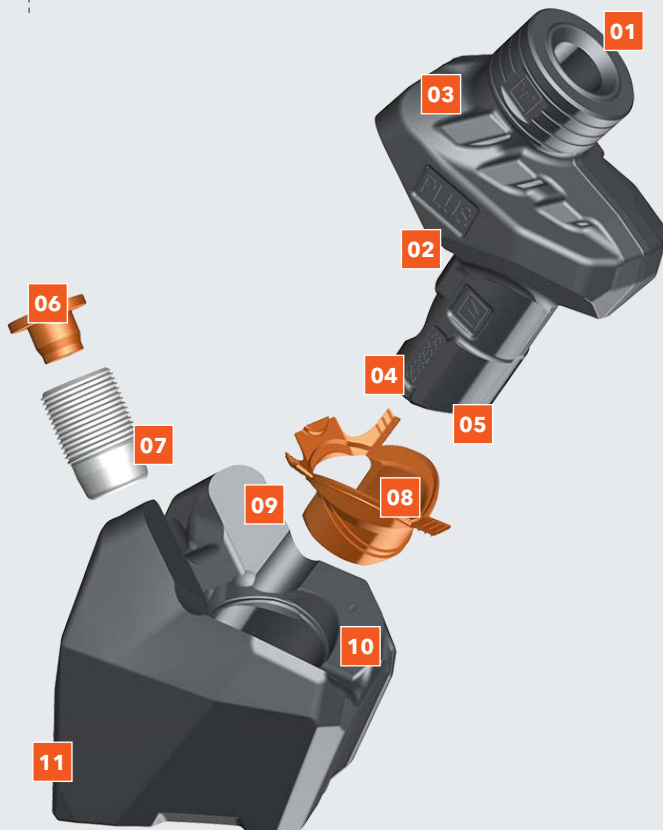
Long Servicing Intervals
HT22

Convenient Pick Changing
Hydraulic pick ejector

HT22 toolholder system in detail

- 01** Innovative centering marks on the tool contact surface in combination with **GENERATION X²** picks for maximum toolholder service life right from the start
- 02** Significantly larger, more durable, and self-centering contact surfaces on the top and bottom parts significantly extend the service life of the milling drum

- 03** Increased wear volume in the shoulder section improves protection of the toolholder base when milling abrasive materials
- 04** Reduced maintenance requirements due to longer intervals between torque inspections of the quick-change toolholder bolts (every 500 hours)
- 05** Optimized shaft geometry with additional improved thermal processing to withstand extreme stress
- 06** Protective plug prevents bolt head from getting dirty
- 07** Heavy-duty retaining bolt
- 08** Seal between top and bottom part allows top part to be easily removed / inserted
- 09** Bottom part covers top part completely for maximum protection
- 10** Extra-large contact surface between top part and bottom part for longer bottom part service life
- 11** Optimized welded joint with increased strength and flexibility for optimum pick rotation





Intelligent solutions for the milling drum, side plate, and scraper make milling faster and increase its quality overall.

HT22 Toolholder System

The extremely wear-resistant **HT22** toolholder system (standard) minimizes downtimes and increases the service life of the entire milling drum.

Hydraulic Pick Ejector

The hydraulically operated pick ejector makes it easier for the operator to change picks.

Hydraulically Raisable Side Plate

Overload sensors on the left and right side plates cause them to lift briefly to prevent them from sinking into soft ground.

Automatic Scraper Lifting

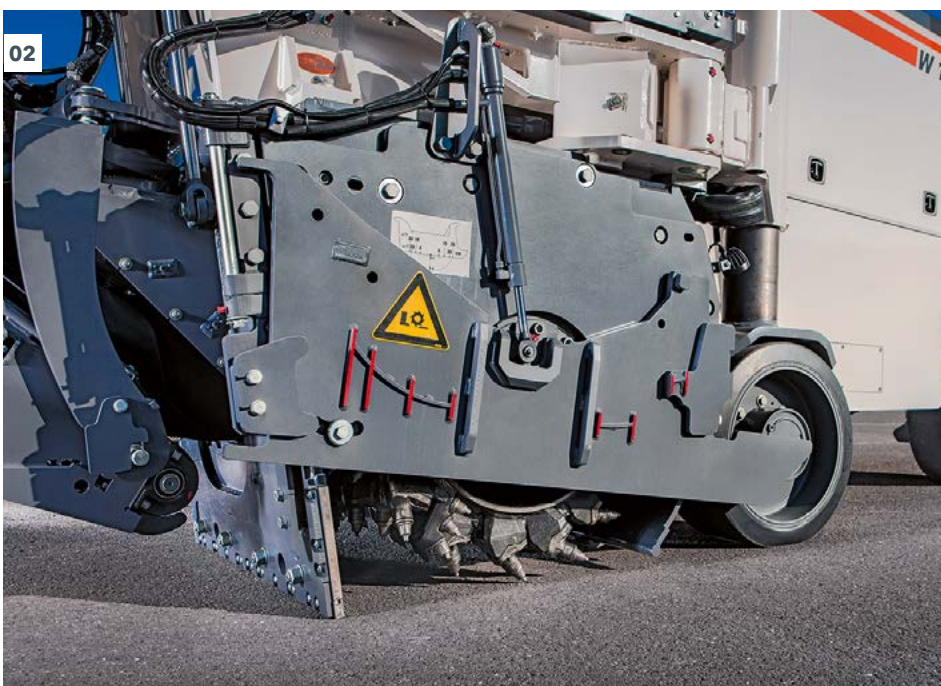
Overload sensors protect the milling drum unit from damage by triggering the scraper to lift briefly, such as to avoid obstacles or uneven ground.

Electrically Adjustable Water Spray Quantity

The water spray quantity can be adjusted from the operator's platform to reliably cool the picks, bind dust, and ensure that the machine remains productive for extended periods of time.

A Variety of Milling Drums

A large number of different original WIRTGEN milling drums and special milling drums are available for a wide range of applications.



01 The electrohydraulically operated pick ejector increases the productivity of the entire machine.

02 The side plates can be raised hydraulically on both sides.

FLEXIBLE, HIGH-PERFORMANCE LOADING

A cold milling machine is only as good as its loading system. That's why the W 100 R(i) / W 120 R(i) features a milled material loading system that was designed for maximum performance.

Hydraulic Folding Conveyor

The hydraulic folding conveyor can be folded away quickly for easy transport and to adapt to site conditions.

Wide Conveyor Swing Angles

Wide conveyor swing angles of 25° to both the right and left make it possible to easily load material, even in difficult job site situations.

Quick-release Coupling

The innovative quick-release coupling ensures that the hydraulic connections can be easily connected when mounting / removing the discharge conveyor.

01



Made-to-Measure Machine Transportation
Hydraulic Folding Conveyor

Fast and Easy Discharge Conveyor Installation
Quick-change coupling

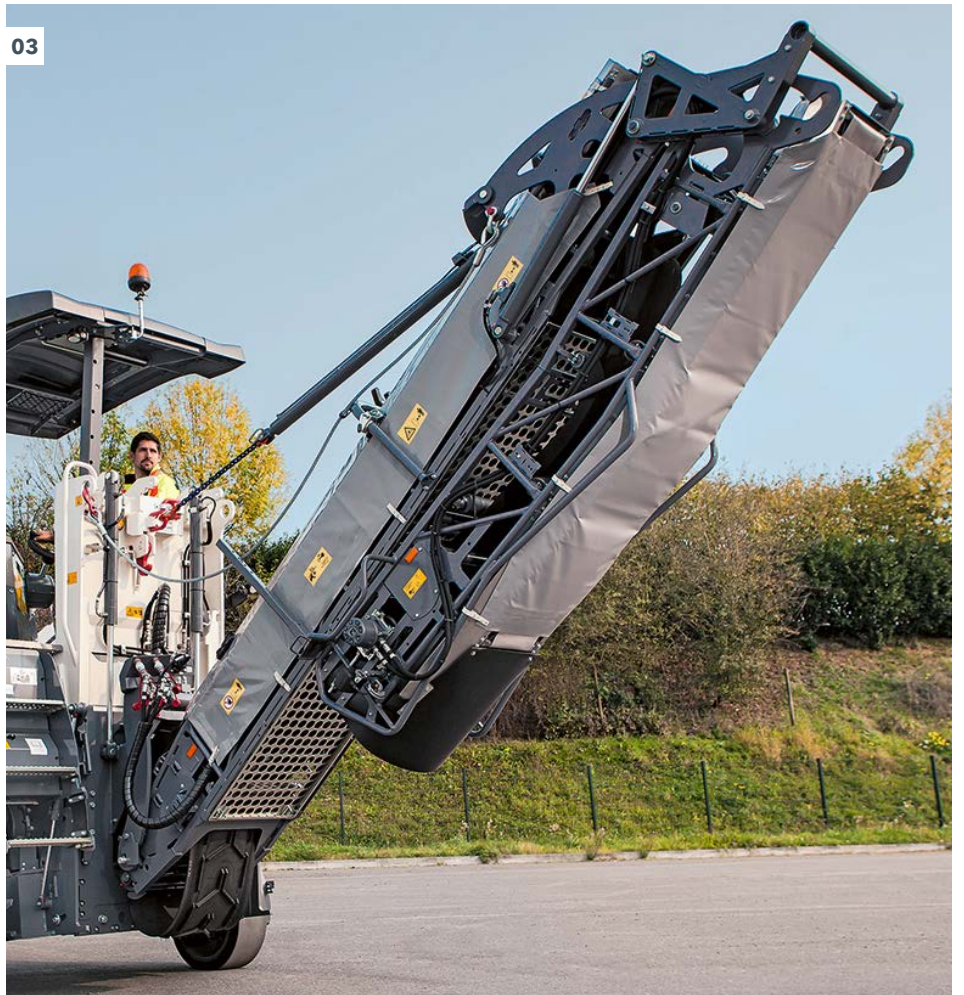
01 The small milling machine features high-performance, efficient loading of the milled material.

02 The quick-release coupling speeds up the process of mounting and removing the discharge conveyor.

03 The folding conveyor reduces the machine's transport length.

Large Belt Width and Cleat Height

A large belt width and cleat height guarantee a high conveying capacity.



HIGH EFFICIENCY FOR TREMENDOUS PRODUCTIVITY



01

Flexible Transportation
Variable additional weights

Fit for the Future
WITOS FleetView onboard

The high-performance cold milling machine in the 1.0 m class stands out due to its wide range of applications. Its productivity is enhanced further by features tailored to site requirements.

Additional Weights

Variable additional weights up to a total of 400 kg make it possible to achieve a high operating weight, excellent traction, and trouble free transport.

Reduced Operator Workload

The WIDRIVE machine control system, which reduces the operator's workload and enhances performance, is used to control the engine speed, travel speed, and activation and deactivation of the water system, among other functions.

Automatic Positioning Function

The built-in, innovative automatic positioning function considerably simplifies machine operation through the use of relief sensors.

Hydraulic Power Belt Tensioner

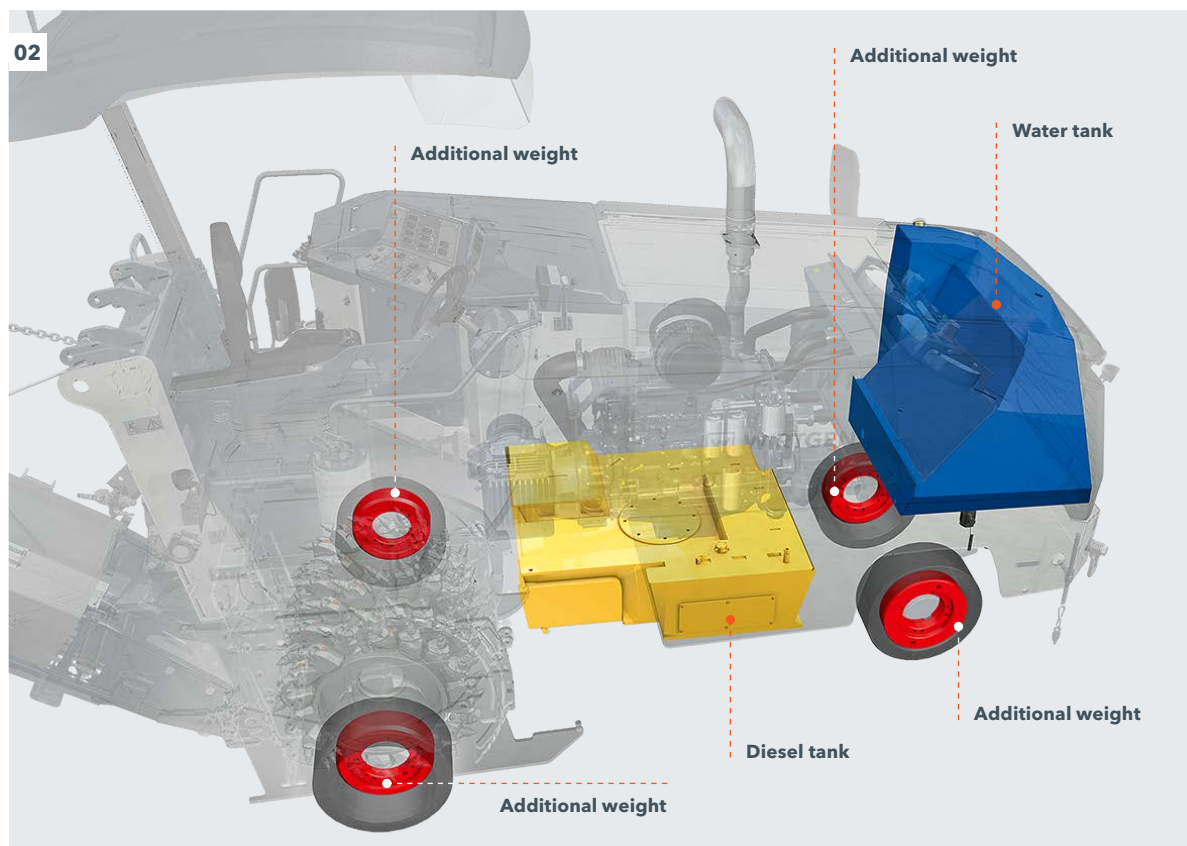
The automatically engaging hydraulic power belt tensioner ensures that power is transmitted safely and effectively.

WITOS Fleetview Telematics System

WIRTGEN's efficient WITOS FleetView telematics system supports fleet management, position and status monitoring, as well as maintenance and diagnostic processes.

Optimized Serviceability

Outstanding access to all maintenance and inspection points minimizes maintenance requirements.



01 Excellent access to components makes servicing the machine easy.

02 Additional weights ensure that the machine has excellent traction in any application.

LOW ENVIRONMENTAL EMISSIONS

Low diesel consumption and low noise levels are better for both the operator and the environment. Ultimately, the small milling machine's environmentally friendly technology cuts costs and increases the operator's performance.

Two Engine Models

The engine technology used in the W 100 R and the W 120 R meets EU Stage 3a / US EPA Tier 3 emissions standards. The W 100 Ri and W 120 Ri meet the stringent requirements of the EU Stage 5 / US EPA Tier 4f.

Standard Diesel Particulate Filter

The diesel particulate filter that comes standard with the engine technology in the W 100 Ri and W 120 Ri meets even more stringent emission standards.

Three Different Milling Drum Speeds

Three different milling drum speeds make it possible to achieve unparalleled milling performance in a wide range of applications.

Optimized Sound and Heat Insulation

The effectively optimized sound and heat insulation significantly reduces noise emissions.

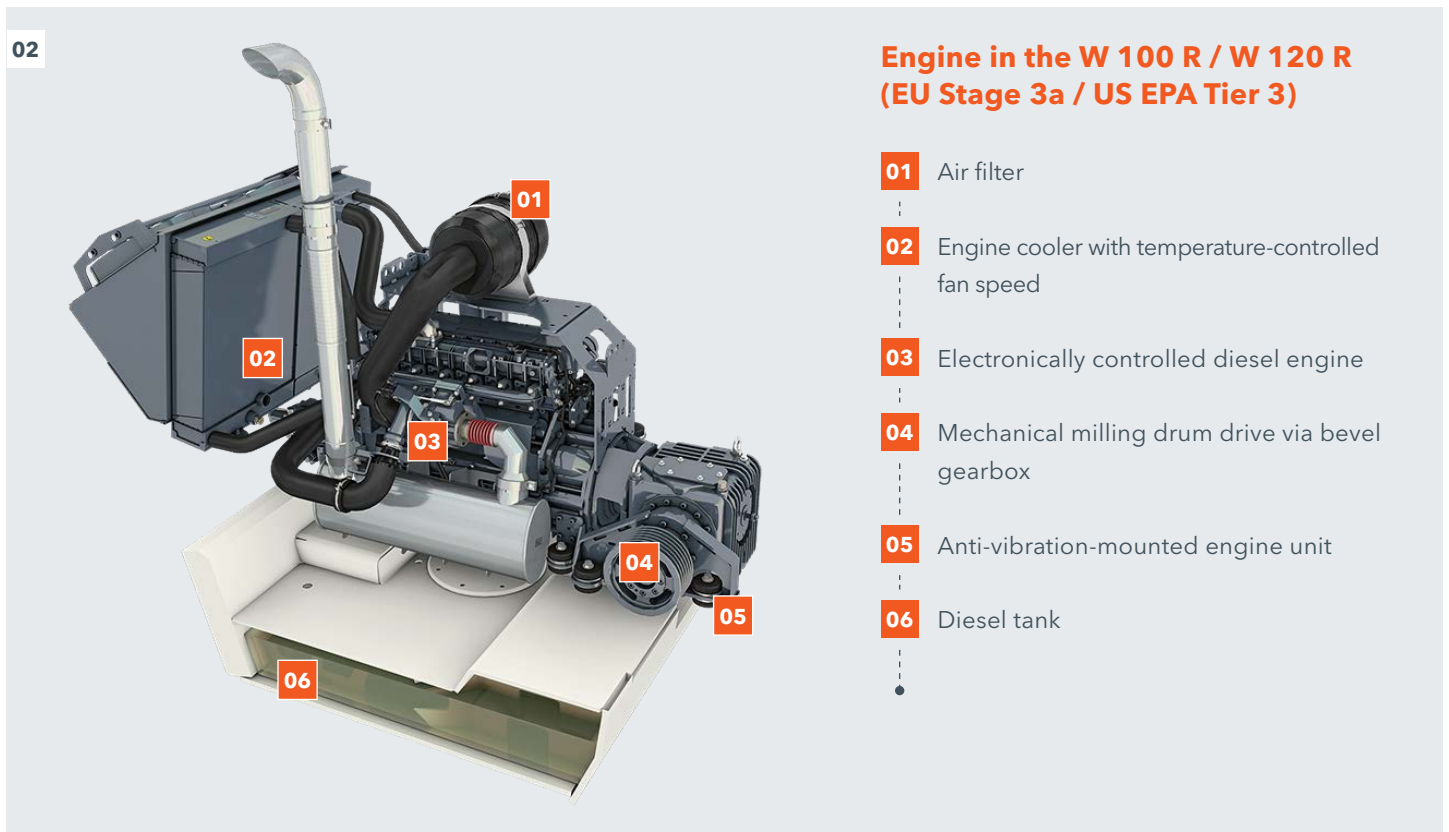
Speed-Controlled Cooling Fan Drive

The cooling system with temperature-controlled fan speed ensures noise emissions are kept to an absolute minimum.

01 Under high load, the engine control system increases torque to ensure that milling performance remains high.

02 The W 100 R / W 120 R equipped with a diesel engine that features powerful, economical engine technology.

03 The W 100 Ri / W 120 Ri is equipped with a diesel engine that also features effective exhaust gas.

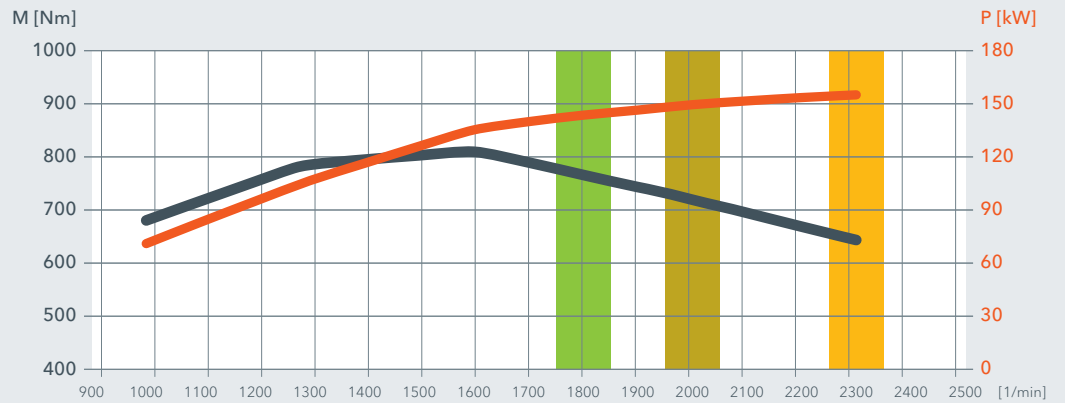


Engine in the W 100 R / W 120 R (EU Stage 3a / US EPA Tier 3)

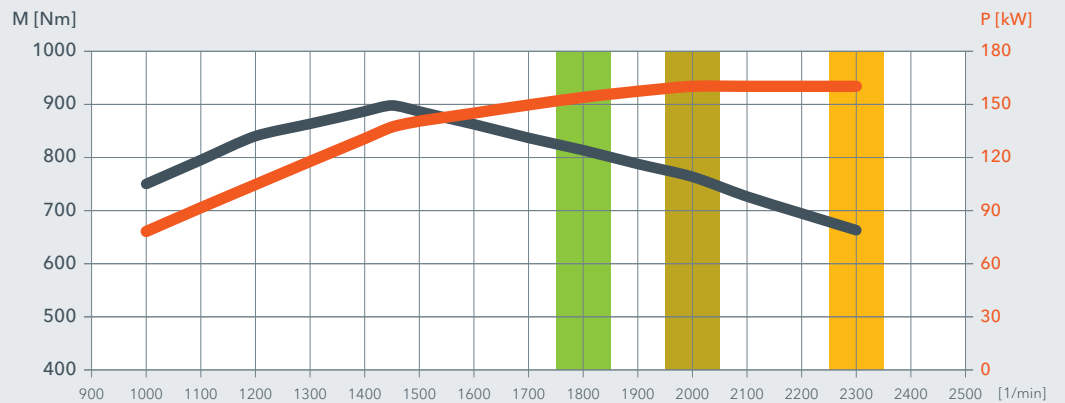
- 01** Air filter
- 02** Engine cooler with temperature-controlled fan speed
- 03** Electronically controlled diesel engine
- 04** Mechanical milling drum drive via bevel gearbox
- 05** Anti-vibration-mounted engine unit
- 06** Diesel tank

01

W 100 R / W 120 R
Engine Characteristics
(EU Stage 3a / US EPA Tier 3)



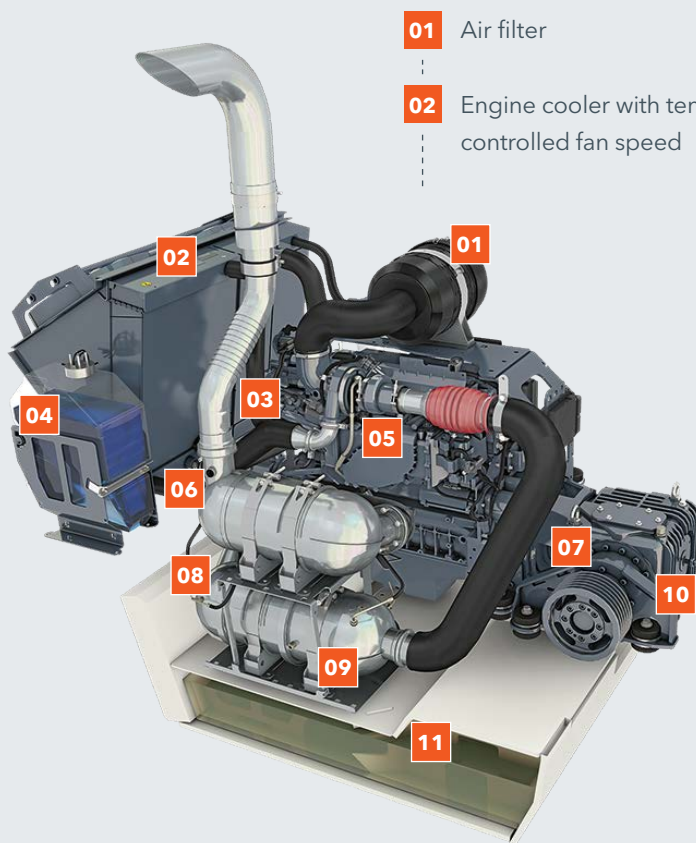
W 100 Ri / W 120 Ri
Engine Characteristics
(EU Stage 5 / US EPA Tier 4f)



— = Engine power — = Torque ■ Engine speed = 1,800 rpm ■ Engine speed = 2,000 rpm ■ Engine speed = 2,300 rpm

03

Engine in the W 100 Ri / W 120 Ri (EU Stage 5 / US EPA Tier 4f)



- 01 Air filter
- 02 Engine cooler with temperature-controlled fan speed
- 03 Cooled exhaust gas recirculation
- 04 AdBlue® / DEF tank
- 05 Electronically controlled diesel engine
- 06 SCR catalytic converter
- 07 Mechanical milling drum drive via bevel gearbox
- 08 Diesel particulate filter
- 09 Oxidation catalytic converter
- 10 Anti-vibration-mounted engine unit
- 11 Diesel tank

The high-performance cold milling machine in the one-meter class is designed for cost-effective milling operations at working widths of 1.0 m or 1.2 m. The machine covers a wide range of applications, from milling surface layers to complete pavement removal. The machine can be equipped with a large number of different milling drums, increasing flexibility and machine utilization.



TECHNICAL SPECIFICATIONS	W 100 R	W 120 R	W 100 Ri	W 120 Ri
Milling Drum				
Standard milling width	1,000 mm	1,200 mm	1,000 mm	1,200 mm
Optional milling width	–	–	600 mm	–
Milling depth ¹⁾	0 – 300 mm			
Cutting diameter	930 mm			
Engine				
Manufacturer	Deutz			
Type	TCD 2012 L06 2V		TCD 6.1 L6	
Cooling	Water			
Number of cylinders	6			
Rated power at 2,300 rpm	155 kW / 208 HP / 211 PS		160 kW / 215 HP / 218 PS	
Maximum power at 2,300 rpm	155 kW / 208 HP / 211 PS		160 kW / 215 HP / 218 PS	
Displacement	6,100 cm ³			
Fuel consumption at rated power during a mixture of job site operations	42 l/h 17 l/h		44 l/h 18 l/h	
Sound power level in accordance with EN 500-2 engine operator's platform	≤ 102 dB(A) ≥ 80 dB(A)		≤ 105 dB(A) ≥ 80 dB(A)	
Emissions standard	EU Stage 3a / US EPA Tier 3		EU Stage 5 / US EPA Tier 4f	
Electrical System				
Power supply	24 V			
Tank Capacities				
Fuel	480 l			
AdBlue [®] / DEF ²⁾	–		32 l	
Hydraulic oil	86 l			
Water	825 l			
Driving Performance				
Max. milling speed	0 – 33 m/min (2 km/h)			
Max. transport speed	0 – 125 m/min (7.5 km/h)			
Tires				
Tire size, front (D x W)	620 x 230 mm			
Tire size, rear (D x W)	620 x 255 mm			
Loading of Milled Material				
Belt width of discharge conveyor	500 mm			
Theoretical capacity of discharge conveyor	125 m ³ /h			

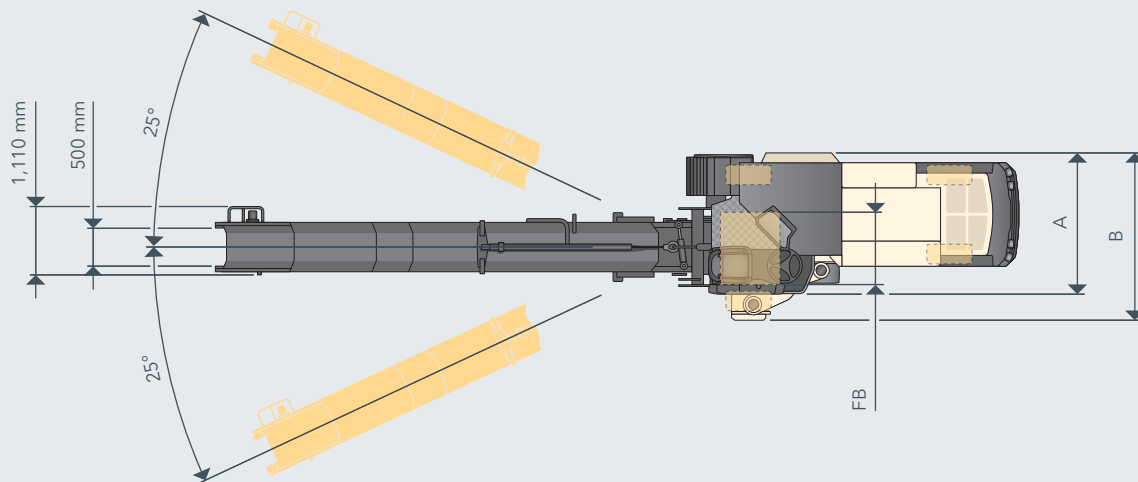
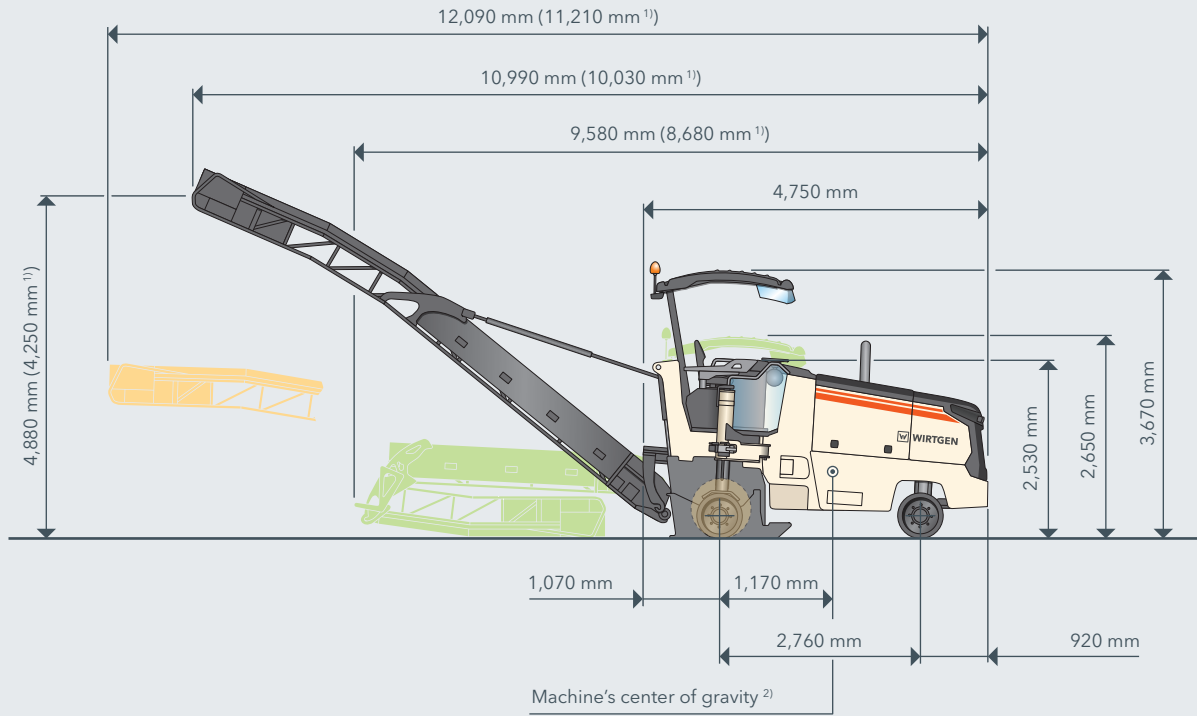
TECHNICAL SPECIFICATIONS	W 100 R	W 120 R	W 100 Ri	W 120 Ri
Basic Machine Weight				
Net weight of machine with discharge conveyor (7,350 mm long, 500 mm wide), without operating agents	14,000 kg	14,650 kg	14,100 kg	14,750 kg
Operating weight, CE ³⁾	14,700 kg	15,350 kg	14,850 kg	15,500 kg
Maximum operating weight (full tanks, full range of equipment)	16,650 kg	17,450 kg	16,800 kg	17,600 kg
Weight of Tank Contents				
Water		825 kg		
Fuel (0.83 kg/l)		400 kg		
AdBlue® / DEF (1.1 kg/l) ²⁾		–	35.2 kg	
Additional Weight				
Operator and Tools				
> Machine operator		75 kg		
> 2 pick containers		50 kg		
> Vehicle tool kit		30 kg		
Optional Milling Drum Units Instead of Standard				
> Milling drum housing FB600 FCS	–	–	-30 kg	–
> Milling drum housing FB1000 FCS-L	200 kg	–	200 kg	–
> Milling drum housing FB1200 FCS-L	–	300 kg	–	300 kg
Optional Milling Drums Instead of Standard				
> Milling drum FB600 HT22 PLUS LA15 with 72 picks	–	–	-180 kg	–
> FCS-milling drum FB1000 HT22 PLUS LA15 with 100 picks	20 kg	–	20 kg	–
> FCS-milling drum FB1000 HT22 PLUS LA18 with 84 picks	-40 kg	–	-40 kg	–
> FCS-milling drum FB1200 HT22 PLUS LA18 with 101 picks	–	-90 kg	–	-90 kg
> FCS-milling drum FB1000 HT22 PLUS LA8 with 148 picks	360 kg	–	360 kg	–
> FCS-milling drum FB1200 HT22 PLUS LA8 with 173 picks	–	400 kg	–	400 kg
> FCS-milling drum FB1000 HT5 LA6X2 with 340 picks	300 kg	–	300 kg	–
> FCS-milling drum FB1200 HT5 LA6X2 with 408 picks	–	360 kg	–	360 kg
Optional Additional Weights				
> Additional weight for four-wheeled machine, removable		400 kg		
Optional Additional Equipment				
> Discharge conveyor, 7,350 mm long, 500 mm wide, with hydraulic folding device		170 kg		
> Discharge conveyor, 6,500 mm long, 500 mm wide, with hydraulic folding device		100 kg		
> Weather canopy		150 kg		

¹⁾ The maximum milling depth may deviate from the value indicated due to tolerances and wear.

²⁾ AdBlue® is a registered trademark of the German Association of the Automotive Industry (VDA)

³⁾ Machine weight, half-full tanks, vehicle tool kits, machine operator, excluding optional equipment

SIDE VIEW / TOP VIEW W 100 R(i) / W 120 R(i)

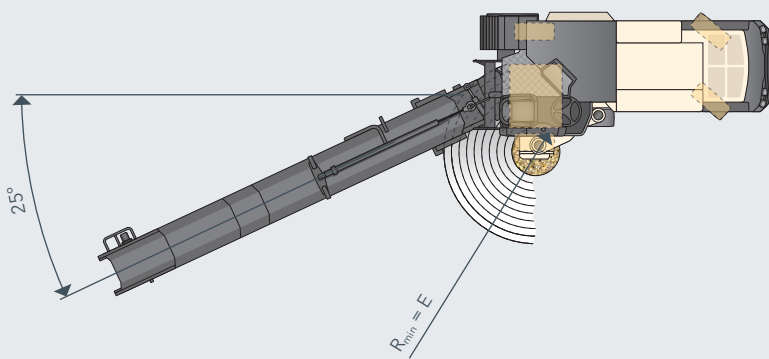
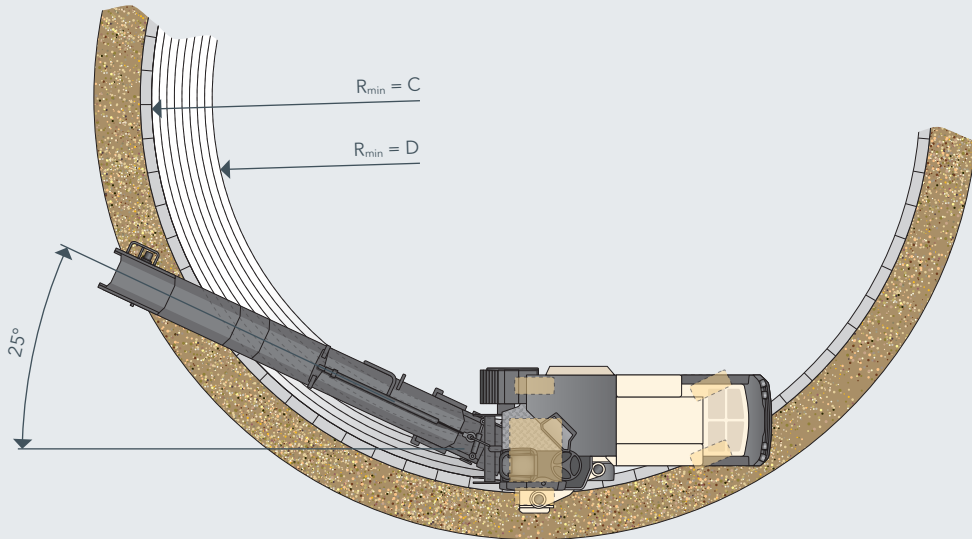


	FB	A	B
W 100 Ri	600 mm	1,940 mm	2,290 mm
W 100 R / W 100 Ri	1,000 mm	1,940 mm	2,290 mm
W 120 R / W 120 Ri	1,200 mm	2,140 mm	2,490 mm

¹⁾ Short discharge conveyor in folding design

²⁾ Based on operating weight, CE with conveyor folded out

MILLING RADIUS W 100 R(i) / W 120 R(i) AT MILLING DEPTH OF 150 MM



	C	D	E
W 100 Ri (FB600)	3,800 mm	3,200 mm	385 mm
W 100 R / W 100 Ri	3,800 mm	2,800 mm	385 mm
W 120 R / W 120 Ri	4,000 mm	2,800 mm	185 mm

STANDARD EQUIPMENT	W 100 R	W 120 R	W 100 Ri	W 120 Ri
Basic Machine				
> Engine cover with noise insulation and flexibly decoupled engine mounting for especially quiet running and low noise emissions	■	■	■	■
Milling Drum Unit				
> Automatically activating, hydraulic drive belt tensioner for reliable power transmission to the milling drum	■	■	■	■
> Hydraulically lifting side plate right and left	■	■	■	■
> Round milling drum housing and straight left side plate for optimum material transport, making for low left-over amounts when lifting out the milling drum	■	■	■	■
> The right-hand side of the milling drum housing can be easily opened for maintenance or drum change	■	■	■	■
> Optimised for quick change of the milling drum, including by using centring pins with the side door of the milling drum housing	■	■	■	■
> With automatic electrical safety shut-off for the milling drum	■	■	■	■
> Milling drum housing FB1000	□	—	□	—
> Milling drum housing FB1200	—	□	—	□
> Manually adjustable front milling drum unit seal FB1000	□	—	□	—
> Manually adjustable front milling drum unit seal FB1200	—	□	—	□
Milling Drums				
> Milling drum FB1000 HT22 PLUS LA15 width 100 picks	□	—	□	—
> Milling drum FB1200 HT22 PLUS LA18 width 101 picks	—	□	—	□
Loading of the Milled Material				
> Machine prepared for optional material loading by discharge conveyer	■	■	■	■
> Conveyer speed continuously variable	■	■	■	■
> Conveyer slewing angle right / left 25 degrees each for significantly improved loading procedures	■	■	■	■
> Machine with hydraulic pre-fitting for a discharge conveyer - screw coupling	□	□	□	□
> Discharge conveyer, 7,350 mm long, 500 mm wide	□	□	□	□
Machine Control and Levelling System				
> Digital milling depth indicator in the control display	□	□	□	□
Operator's Platform				
> Operator's platform with ergonomically arranged operator's seat, control panel arranged on the right and digital milling depth indicator in the control display	■	■	■	■
> Steering console with adjustable rake and reach for ideal adaptation of the operator's platform to the operator	■	■	■	■
> Three mirrors	■	■	■	■
> Machine design permits unobstructed view of the milled edge at the right and left as well as the working area in front of the milling drum on the right	■	■	■	■
> Conveniently accessible ladder / footstep to the operator's platform with night-time lighting and especially low, folding bottom edge of the latter / footstep	■	■	■	■
> Robust anti-vandalism protection for the controls	■	■	■	■
> Standard operator's seat	□	□	□	□
> Operator's platform without canopy	□	□	□	□

STANDARD EQUIPMENT	W 100 R	W 120 R	W 100 Ri	W 120 Ri
Track Unit and Height Adjustment				
> Precise machine height adjustment in 1 or 5 mm steps from the machine control panel	■	■	■	■
> Infinitely variable, hydraulic all-wheel drive with three speed ranges	■	■	■	■
> Digital load control, manual engageable, hydraulic differential lock (by flow distributor)	■	■	■	■
> Particularly wide solid rubber tyres for the lowest ground pressures and optimum traction	■	■	■	■
> For milling along kerb edges, the rear right support wheel can be swivelled hydraulically from the operator's platform in front of the milling drum.	■	■	■	■
> Hydraulic spring-loaded brake	■	■	■	■
> Proportional height adjustment at rear	■	■	■	■
> Front axle for working with a FB1000 / FB1200	□	□	□	□
Miscellaneous				
> Flexible weight concept by optional additional weights	■	■	■	■
> Particularly low machine centre of gravity for high stability of the machine	■	■	■	■
> Robust and easily maintained machine chassis with optimum ground clearance and short overhangs	■	■	■	■
> Towing device	■	■	■	■
> Reversing horn	■	■	■	■
> Large tool package with lockable tool box and additional storage space for two pick containers	■	■	■	■
> Pre-fitting for installing the WITOS FleetView control unit	■	■	■	■
> European type certification, EuroTest mark and CE conformity	■	■	■	■
> Standard film coating in RAL 9001 (cream)	□	□	□	□
> WITOS - professional telematics solution for machine operation and service optimisation	□	□	□	□
> Halogen / LED lighting system including rotating beacon	□	□	□	□

■ = Standard equipment

□ = Standard equipment, can be replaced with optional equipment if desired

□ = Optional equipment

OPTIONAL EQUIPMENT	W 100 R	W 120 R	W 100 Ri	W 120 Ri
Milling Drum Unit				
> Milling drum housing FB600 FCS	—	—	<input type="checkbox"/>	—
> Milling drum housing FB1000 FCS-L	<input type="checkbox"/>	—	<input type="checkbox"/>	—
> Milling drum housing FB1200 FCS-L	—	<input type="checkbox"/>	—	<input type="checkbox"/>
> Manually adjustable front milling drum unit seal FB600	—	—	<input type="checkbox"/>	—
> Hydraulically adjustable front milling drum unit seal FB600, including overload sensor	—	—	<input type="checkbox"/>	—
> Hydraulically adjustable front milling drum unit seal FB1000, including overload sensor	<input type="checkbox"/>	—	<input type="checkbox"/>	—
> Hydraulically adjustable front milling drum unit seal FB1200, including overload sensor	—	<input type="checkbox"/>	—	<input type="checkbox"/>
> Overload sensor on the scraper FB600	—	—	<input type="checkbox"/>	—
> Overload sensor on the scraper FB1000/1200	<input type="checkbox"/>	<input type="checkbox"/>	<input type="checkbox"/>	<input type="checkbox"/>
> Active floating position for the side plates, left and right	<input type="checkbox"/>	<input type="checkbox"/>	<input type="checkbox"/>	<input type="checkbox"/>
Milling Drums				
> FCS milling drum FB1000 HT22 PLUS LA15 with 100 picks	<input type="checkbox"/>	—	<input type="checkbox"/>	—
> FCS milling drum FB1000 HT22 PLUS LA18 with 84 picks	<input type="checkbox"/>	—	<input type="checkbox"/>	—
> FCS milling drum FB1000 HT22 PLUS LA8 with 148 picks	<input type="checkbox"/>	—	<input type="checkbox"/>	—
> FCS milling drum FB1000 HT5 LA6X2 with 340 picks	<input type="checkbox"/>	—	<input type="checkbox"/>	—
> FCS milling drum FB1200 HT22 PLUS LA18 with 101 picks	—	<input type="checkbox"/>	—	<input type="checkbox"/>
> FCS milling drum FB1200 HT22 PLUS LA8 with 173 picks	—	<input type="checkbox"/>	—	<input type="checkbox"/>
> FCS milling drum FB1200 HT5 LA6X2 with 408 picks	—	<input type="checkbox"/>	—	<input type="checkbox"/>
> Milling drum FB600 HT22 PLUS LA15 with 72 picks	—	—	<input type="checkbox"/>	—
> Milling drum FB80 HT02 MD250 with 30 picks	—	—	<input type="checkbox"/>	—
> FCS milling unit FB400 HT22 PLUS LA15 with 61 picks	—	—	<input type="checkbox"/>	—
> FCS milling unit FB500 HT22 PLUS LA15	—	—	<input type="checkbox"/>	—
Loading of the Milled Material				
> Machine with hydraulic pre-fitting for a discharge conveyor - quick-change coupling	<input type="checkbox"/>	<input type="checkbox"/>	<input type="checkbox"/>	<input type="checkbox"/>
> Discharge conveyor 7,350 mm long, 500 mm wide, with hydraulic folding device	<input type="checkbox"/>	<input type="checkbox"/>	<input type="checkbox"/>	<input type="checkbox"/>
> Discharge conveyor 6,500 mm long, 500 mm wide, with hydraulic folding device	<input type="checkbox"/>	<input type="checkbox"/>	<input type="checkbox"/>	<input type="checkbox"/>
> Machine with belt device without discharge conveyor (FB600)	—	—	<input type="checkbox"/>	—
> Machine with belt device without discharge conveyor (FB1000)	<input type="checkbox"/>	—	<input type="checkbox"/>	—
> Machine with belt device without discharge conveyor (FB1200)	—	<input type="checkbox"/>	—	<input type="checkbox"/>
> Hydraulic connection adapter screw coupling for additional discharge conveyor	<input type="checkbox"/>	<input type="checkbox"/>	<input type="checkbox"/>	<input type="checkbox"/>
> Hydraulic connection adapter quick-change coupling for additional discharge conveyor	<input type="checkbox"/>	<input type="checkbox"/>	<input type="checkbox"/>	<input type="checkbox"/>

OPTIONAL EQUIPMENT	W 100 R	W 120 R	W 100 Ri	W 120 Ri
Machine Control and Levelling System				
> LEVEL PRO PLUS leveling system right and left	<input type="checkbox"/>	<input type="checkbox"/>	<input type="checkbox"/>	<input type="checkbox"/>
> RAPID SLOPE sensor for LEVEL PRO PLUS leveling system	<input type="checkbox"/>	<input type="checkbox"/>	<input type="checkbox"/>	<input type="checkbox"/>
> Levelling boom including sensor for LEVEL PRO PLUS leveling system	<input type="checkbox"/>	<input type="checkbox"/>	<input type="checkbox"/>	<input type="checkbox"/>
Operator's Platform				
> Comfort operator's seat including seat heating	<input type="checkbox"/>	<input type="checkbox"/>	<input type="checkbox"/>	<input type="checkbox"/>
> Operator's platform with weather canopy and lateral weather protection elements	<input type="checkbox"/>	<input type="checkbox"/>	<input type="checkbox"/>	<input type="checkbox"/>
> Operator's platform with a canopy, manually adjustable in height	<input type="checkbox"/>	<input type="checkbox"/>	—	—
Track Unit and Height Adjustment				
> Front axle for working with a FB600	—	—	<input type="checkbox"/>	—
> Increased travelling speed (up to 7.5 km/h)	<input type="checkbox"/>	<input type="checkbox"/>	<input type="checkbox"/>	<input type="checkbox"/>
> Precision steering by pushbuttons (FB1000/1200)	<input type="checkbox"/>	<input type="checkbox"/>	<input type="checkbox"/>	<input type="checkbox"/>
> Precision steering by pushbuttons (FB600)	—	—	<input type="checkbox"/>	—
Miscellaneous				
> Film coating according to the customer's wishes	<input type="checkbox"/>	<input type="checkbox"/>	<input type="checkbox"/>	<input type="checkbox"/>
> Model without WITOS	<input type="checkbox"/>	<input type="checkbox"/>	<input type="checkbox"/>	<input type="checkbox"/>
> High-power lighting system LED including rotating beacon	<input type="checkbox"/>	<input type="checkbox"/>	<input type="checkbox"/>	<input type="checkbox"/>
> Additional weight 400 kg for four-wheel machine, removable	<input type="checkbox"/>	<input type="checkbox"/>	<input type="checkbox"/>	<input type="checkbox"/>
> Milling drum assembly trolley to FB1300	<input type="checkbox"/>	<input type="checkbox"/>	<input type="checkbox"/>	<input type="checkbox"/>
> Assembly aid for the milling drum change	<input type="checkbox"/>	<input type="checkbox"/>	<input type="checkbox"/>	<input type="checkbox"/>
> Electrical fuel filter preheating	—	—	<input type="checkbox"/>	<input type="checkbox"/>
> Hydraulically driven water filler pump	<input type="checkbox"/>	<input type="checkbox"/>	<input type="checkbox"/>	<input type="checkbox"/>
> Hydraulic pick ejector	<input type="checkbox"/>	<input type="checkbox"/>	<input type="checkbox"/>	<input type="checkbox"/>
> Job data acquisition in the control display	<input type="checkbox"/>	<input type="checkbox"/>	<input type="checkbox"/>	<input type="checkbox"/>
> Monitor system with 2 cameras and screen	<input type="checkbox"/>	<input type="checkbox"/>	<input type="checkbox"/>	<input type="checkbox"/>
> Licence plate holder with LED lighting	<input type="checkbox"/>	<input type="checkbox"/>	<input type="checkbox"/>	<input type="checkbox"/>

■ = Standard equipment

■ = Standard equipment, can be replaced with optional equipment if desired

□ = Optional equipment

**WIRTGEN GmbH**

Reinhard-Wirtgen-Str. 2
53578 Windhagen
Germany

T: +49 2645 131-0
F: +49 2645 131-392
M: info@wirtgen.com

 www.wirtgen.de



For further information, please scan the code.