



Wheeled Paver

# SUPER 1303-3(i)



# PERFECT IN ALL CLASSES

The right paver for every job

VÖGELE's seamless product range is considered unique in the industry. Whether the project is a service road or a motorway, an airfield or a race track, a new construction or a rehabilitation job, thick or thin, hot or cold – customers will find the right machine for every paving task in our range of pavers.



## VÖGELE PRODUCT RANGE

### MINI CLASS

- > Maximum pave width 3.5 m
- > Maximum laydown rate 300 t/h

### COMPACT CLASS

- > Maximum pave width 5 m
- > Maximum laydown rate 350 t/h

### UNIVERSAL CLASS

- > Maximum pave width 10 m
- > Maximum laydown rate 700 t/h

### HIGHWAY CLASS

- > Maximum pave width 18 m
- > Maximum laydown rate 1800 t/h

### SPECIAL CLASS

- > SprayJet
- > InLine Pave

### POWERFEEDER

- > MT 3000-3(i) Standard
- > MT 3000-3(i) Offset

# OVERVIEW OF HIGHLIGHTS

Perfectly equipped



## DRIVE

### 01 Drive concept

> Powerful and economical drive concept with a state-of-the-art diesel engine.

## MATERIAL MANAGEMENT

### 02 Optimum mix feed

> Large material hopper with a capacity of 10 tonnes ensures optimum feeding with mix.

### 03 PaveDock Assistant

> Facilitates communication during transfer of mix.

## OPERATION

### 04 ErgoPlus 3 operating system

> ErgoPlus 3 operating system with numerous convenient and automatic functions.

### 05 AutoSet Basic

> AutoSet Basic function for quick, safe repositioning of the paver on the job site.

### 05 Pivot Steer

> Pivot Steer steering brake significantly reduces turning circle.

## QUALITY

### 06 Niveltronic Plus - the System for Automated Grade and Slope Control

> Fully integrated system perfectly matched to the machine technology of VÖGELE road pavers.  
> Wide range of sensors for flexible use in all fields of application.  
> User-friendly operation and monitoring of all Niveltronic Plus functions.

## VERSATILITY

### 07 Wide range of applications

> Tracked Compact Class paver with a wide range of applications and pave widths up to 4.5 m.

### 08 Extending Screed

> AB 340 Extending Screed ensures a perfect paving result.



01



02



03



04



05



06

## COMPACT SIZE, BIG PERFORMANCE

**Minor municipal roads, farm tracks, footpaths and cycle paths or small to medium-sized surfaces - if these are the kinds of paving job you need to get done, then the VÖGELE SUPER 1303-3(i) is for you.**

The SUPER 1303-3(i) features an extremely compact design and superb manoeuvrability. A basic width of 1.85 m and an overall length of just 4.95 m make the SUPER 1303-3(i) ideal for jobs in confined spaces.

The VÖGELE ErgoPlus 3 operating system has been supplemented by numerous ergonomic and functional features. The paver operator's console, for example, comes with a large colour display which provides brilliant readability even in poor lighting conditions.

Though it is a compact machine, the perfected overall concept of the SUPER 1303-3(i) makes its excellent performance outstanding. Powered by a 74.4 kW-rated diesel engine, the paver achieves laydown rates up to 250 t/h.

Combine the SUPER 1303-3(i) with the TV version of the AB 340 Extending Screed for pave widths up to 4.5 m to manage even medium-sized job sites easily.

**01** ErgoPlus 3 operating system with numerous convenient and automatic functions.  
**02** Wheeled paver with a large range of applications.  
**03** The slim design and compact overall length of this paver make it very easy to work and to manoeuvre on tight job sites.

**04** The paver operator's platform ensures maximum visibility.  
**05** Large material hopper for optimum feeding with mix.  
**06** Compact dimensions and high power support a wide range of different applications.



# THE RIGHT PAVER FOR JOBS IN CONFINED SPACES

Compact size, high efficiency: be it an extremely confined job site out of town or a winding city-centre alleyway, VÖGELE Compact Class pavers feature excellent manoeuvrability. They are ideal in all these environments with high performance as their trump card. The very small outside turning circle of just 3.8 m makes for an extremely manoeuvrable paver and facilitates easy and fast repositioning even on confined job sites.

The slim paver design with no protruding edges and with a compact overall length of just 4.95 m allows for very easy paving and manoeuvring on small job sites. The push-rollers fold up together with the hopper sides for passing through narrow spaces.



## 3.8 m outside turning circle

facilitates convenient, swift manoeuvring on confined job sites

## Clearance width 1.85 m

with hopper sides folded and push-rollers

The hardtop of glass fibre-reinforced polymer material, including exhaust pipe, folds down effortlessly, thus preparing the paver for transport quickly and easily.



# PERFECT IN MANY AREAS OF APPLICATION

With its compact dimensions and high power, the VÖGELE Compact Class of pavers delivers a wide range of different applications. Whether dealing with combined footpaths and cycle paths, farm tracks or minor roads and squares, the SUPER 1303-3(i)'s wide range of pave widths from 0.75 m to 4.5 m and high engine output enable it to master any task with ease.



01



02



03



04

- 01 Pavement rehabilitation on access roads
- 02 Surfacing paths in public parks
- 03 Asphalt paving on combined footpaths and cycle paths
- 04 Asphalt paving of commercial areas

The applications illustrated here are typical for the VÖGELE Compact Class. Images may also show the predecessor model.

# FULL POWER, INTELLIGENT TECHNOLOGY

High output with low consumption

Three main components define the power unit of a SUPER 1303-3(i): its modern, liquid-cooled diesel engine, a splitter gearbox flanged directly to the engine and a large cooler assembly.

The driving force in this VÖGELE powerpack is its powerful diesel engine. The four-cylinder engine delivers 74.4 kW at 2,000 rpm, though fuel-saving ECO mode is sufficient for many applications. And even then, the SUPER 1303-3(i) still has a full 68.7 kW at its disposal. Moreover, the machine generates even less noise when running at just 1,600 rpm.

A large cooler assembly ensures that the power unit always delivers its full output. With innovative air routing and a variable-speed fan, temperatures are continuously maintained within the optimum range, significantly extending the service

life of both the diesel engine and the hydraulic oil. A further advantage is that the machine can operate without difficulty in all climate regions worldwide.

All hydraulic consumers are supplied with hydraulic oil directly via the splitter gearbox. Hydraulic pumps and valves are located centrally, making them ideally accessible for servicing.



■ = Hydraulic oil cooler  
■ = Fuel cooler  
■ = Coolant cooler  
■ = Charge air cooler

**74.4 kW** diesel engine output | 
 **ECO mode at 1,600 rpm** cuts operating costs | 
 **Intelligent generator management** adapts output to suit pave width



## VÖGELE > GOOD TO KNOW

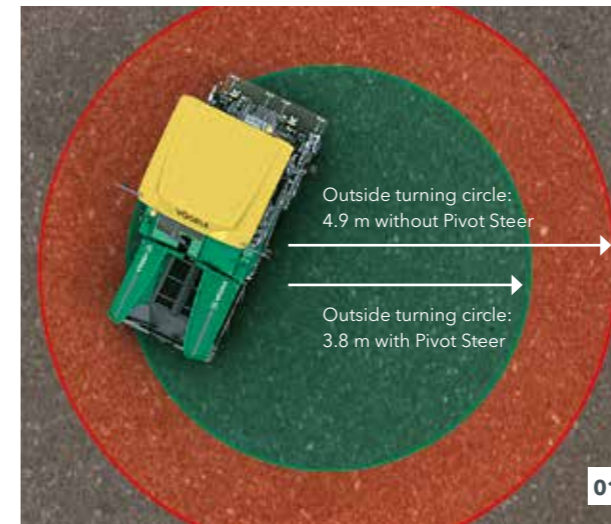
### Exhaust emissions aftertreatment on "i" machines

On the engine of the SUPER 1303-3i, exhaust emissions aftertreatment is provided by the diesel oxidation catalyst (DOC), a diesel particulate filter (DPF) and a selective catalytic reduction (SCR) catalytic converter, with the result that "i" machine engines satisfy the strict requirements of European exhaust emissions standard Stage V. A variant without exhaust emissions aftertreatment is available for less regulated markets. This corresponds to European exhaust emissions standard stage 3a and US standard EPA Tier 3.

# TRAVELS RAPIDLY UNDER ITS OWN POWER

A powerful paver which is comfortable to drive on the road. Thanks to its precise steering and handling characteristics, the SUPER 1303-3(i) is superbly manoeuvrable - as demonstrated by its outside turning circle of just 4.9 m (3.8 m with Pivot Steer). With its powerful traction drive, the machine can pave swiftly and travel on public roads at a maximum speed of 20 km/h. So if the next job site is close at hand, there is no need for a low-loader to transport the paver.

Rapid transport under its own power at up to 20 km/h - a feat for which the SUPER 1303-3(i) is perfectly equipped. All paving functions are automatically deactivated when "Road Travel" mode is selected. In addition, the paver comes with the approved lighting for public traffic. As a result, this paver - like all other wheeled pavers from VÖGELE - meets the basic requirement for travelling on public roads.



- 01** With the Pivot Steer steering brake activated, the rear inside wheel is automatically braked hydraulically, reducing the outside turning circle to no more than 3.8 m for positioning manoeuvres and paving.
- 02** As a standard feature, all VÖGELE wheeled pavers are equipped with a lighting system approved throughout Europe for travelling on public roads.
- 03** The push-buttons for the direction indicators, warning lights, dipped-beam and full-beam headlights are clearly arranged side-by-side on the paver operator's console.

## Optimum traction

Even on difficult terrain

## Pivot Steer steering brake

Reduces the outside turning circle to 3.8 m

## Lighting system

Enables pavers to run on public roads



The separate hydraulic drives in both rear wheels and two front wheels ensure maximum power transmission. Electronic Traction Management and an electronically limited slip differential acting on the drives of the rear wheels assure optimum traction, even on difficult terrain.

Continuous ground contact is assured by a front axle which oscillates both lengthwise and crosswise. In other words, the front axle is only permanently connected to the chassis at one point. Combined with the rigidly suspended rear wheels, this creates a static 3-point support.





# PERFECT MATERIAL MANAGEMENT FOR PERFECT PAVING QUALITY

**A continuous flow of mix is key to ensuring uninterrupted, high-quality paving, which is why we attach such importance to professional material management when designing our pavers.**

All our development efforts focus on simple operation and the best possible overview for the paving team.

Despite the narrow outline of the SUPER 1303-3(i), the material hopper holds 10 tonnes, ensuring that a sufficient quantity of mix is available at all times, even in situations where feeding is difficult, such as when paving under bridges.

Hopper sides, which fold hydraulically and separately, guarantee a consistent feed with mix even when paving an asymmetrical width along boundaries such as walls, for instance. The optional hydraulic hopper front helps both feed and empty the hopper. The paver comes with oscillating push-rollers to ensure that feed vehicles can dock without jolts.



**Large material hopper**  
with a capacity of 10 tonnes

**Deep and wide hopper sides**  
for especially straightforward material feed

**Oscillating push-rollers**  
for convenient docking without jolting



01

- 01** An amply dimensioned conveyor tunnel and powerful, separate hydraulic drives provided for the conveyors and augers enable the SUPER 1303-3(i) to achieve laydown rates of up to 250 t/h, an extraordinarily high performance for a paver in this class.
- 02** Separate drive and control is installed for each conveyor and each auger. When operating in Automatic mode, conveyors and augers are subject to continual monitoring. Proportional control delivers a constant head of mix in front of the screed.
- 03** Folding limiting plates for the auger tunnel are provided to set up the machine quickly for paving in the range between 2.6 m and 4.5 m. There is no need for conversion.



02



03

The large conveyor tunnel, proportional control of conveyors and powerful augers ensure optimum conveying and spreading of mix in front of the screed. Furthermore, height-adjustable

augers and folding limiting plates for the auger tunnel allow the paver to be moved on the job site without the need for conversion. This saves time and money.

## VÖGELE > GOOD TO KNOW

### Adjustable auger height

The height of the auger - complete with bearing boxes and limiting plates for the auger tunnel - can be hydraulically adjusted by up to 13 cm across full pave width. This optimises the head of mix in front of the screed, even when thin layers are being paved or when layer thickness varies within a paving section. AutoSet Basic allows the auger to be moved to transport position at the touch of a button and following repositioning, to be returned to the previously-set height in exactly the same way.



13 cm

# PAVEDOCK ASSISTANT: THE COMMUNICATION SYSTEM

Feeding as a reliable process

**A constant feed of material is a fundamental prerequisite for high-quality, even paving. PaveDock Assistant is the communication system between the paver operator and the driver of the feed vehicle, allowing mix to be transferred to the paver especially quickly and reliably.**

The core elements of the PaveDock Assistant are the signal lights on the paver and the associated control elements on the paver operator's ErgoPlus 3 console.

The paver has two sets of signal lights, mounted on the right and left of the hardtop. The paver operator can use these

lights to give the driver of the feed vehicle clear signals indicating what needs to be done (e.g. reverse, stop, dump mix). Having two lights, each in an elevated position, ensures that all signals are clearly visible to the feed vehicle driver from any angle of approach.



- 01** The paver has two sets of signal lights, mounted on the left and right of the hardtop.
- 02** The paver operator can indicate clearly whether the truck driver is to reverse, stop or dump mix, for example.
- 03** The signal is conveniently selected straight from the ErgoPlus 3 operator's console.



## VÖGELE > GOOD TO KNOW

### PaveDock Assistant signals

The signal lights attached to the right and left of the paver hardtop enable the paver operator to give the truck driver clear signals using the associated controls on the paver operator's ErgoPlus 3 console.

 <p>Dock</p>		 <p>Lower dump box</p>	
 <p>Stop</p>		 <p>Drive off</p>	
 <p>Raise dump box</p>		 <p>Paver is moving</p>	

# AUTOSET BASIC REPOSITIONING FUNCTION

**AutoSet Basic is especially helpful when the machine has to be moved on the job site frequently.**

Simply pressing the "Execute" button hydraulically raises the augers and the hopper front to the uppermost positions. The screed, too, is brought into its transport position. The conveyors are temporarily reversed, preventing mix from falling to the ground when the paver travels to the next section on site. Once the paver has been repositioned,

pressing the "Execute" button again returns all systems to the previously stored working positions.

This ensures that no settings are lost when switching from paving to repositioning or transport. It also effectively prevents any damage to the machine.

- > Fast and safe repositioning of the paver on the job site.
- > No settings are lost between paving and repositioning.
- > Also prevents any damage to the augers.



### AutoSet Basic Repositioning function

The AutoSet Basic repositioning function is activated just by pushing the "Execute" button.

- 01** Raise/lower screed.
- 02** Raise/lower auger.
- 03** Conveyor movement can be reversed briefly.
- 04** Raise hopper front.



## ERGOPLUS 3 OPERATING CONCEPT

Improved efficiency, reliability and convenience

**Even the very best machine with the most advanced technology can only really show its strengths if it is easy to operate as intuitively as possible. At the same time, it should offer an ergonomic and safe working environment for the operating team.**

That's why the ErgoPlus 3 operating concept is focussed on the operator, ensuring that VÖGELE paver operators retain full control over the machine and the paving job. On the following pages, example images will give you with more detailed information about the extensive functions of

the ErgoPlus 3 operating concept. ErgoPlus 3 encompasses the operator's platform, the paver operator's console and screed consoles and Niveltronic Plus, the System for Automated Grade and Slope Control.



# ERGOPLUS 3 PAVER OPERATOR'S CONSOLE

Clearly arranged in line with experience from the field

The paver operator's console is extremely clear and has been designed in accordance with practical principles. All functions are combined into logical groups so that the operator finds each function exactly where he would expect it to be.

On the ErgoPlus 3 console, all push-buttons are easily identifiable by touch, even when wearing work gloves. The "Touch and Work" principle means you just press a button and off you go - a function is executed directly without the need for confirmation.

As a standard feature, all wheeled pavers from VÖGELE are equipped with a lighting system approved throughout Europe for travelling on public roads. The push-buttons for indicating direction, warning lights, dipped-beam and full-beam headlights are clearly arranged side by side on the paver operator's console.



## 01 Conveyors and augers, traction

All controls for the conveyor and auger are located here. The traction main switch, the operating mode selector and the setpoint adjuster for pave speed are also included in this function group.

## 02 Material hopper and steering

This function group includes the controls for the material hopper, the steering and the diesel engine. Various options are also operated from here.

## 03 Screed functions

All controls for the screed are grouped at the centre of the paver operator's console.

## 04 Paver operator's console display

The high-contrast colour display delivers brilliant readability even in poor lighting conditions. Essential information is shown on menu level 1. More paving settings, as well as information about the machine, can be found on secondary levels.

## 05 Safe operation at night

Glare-free backlighting comes on automatically as darkness sets in so that the paver operator can also work safely on night-time jobs.



# CONVEYORS AND AUGERS, TRACTION

## Module 1

### 01 AutoSet Basic Repositioning function (option)

With the AutoSet Basic Repositioning function, the paver is quickly and safely prepared for a move on the job site at the touch of a button. After the move, all paver components are reset to their previous working positions simply by pressing the button again. This ensures that no settings are lost when switching between "Pave" and "Job Site" modes. AutoSet Basic also effectively prevents damage during transport.

### 02 Choice of operating modes for the paver

All the main paving and machine functions can be controlled directly by individual push-buttons on the paver operator's ErgoPlus 3 console. By pressing the up or down arrow buttons, the operator changes modes in the following order: "Neutral", "Job Site", "Positioning" and "Pave". An LED indicates the mode selected.



The conveyor can be reversed at the touch of a button. Return transport of the mix is stopped automatically. The conveyor can be switched to the no-load function just as quickly.



01 AutoSet Basic Repositioning function (option)

02 Choose paver operating mode

03 Reverse conveyor movement

04 Pivot Steer steering brake

### 03 Reverse conveyor

In order to avoid mix dropping from the conveyors while the paver is being moved on the job site, conveyor movement can be reversed at the touch of a button. Reverse movement takes place for a short time only and stops automatically.

### 04 Pivot Steer steering brake

The Pivot Steer steering brake can be switched on with a simple touch of a button in "Positioning" and "Pave" modes. When it is activated, the speed of the rear inside wheel is automatically slowed down hydraulically when a steering movement is carried out, reducing the turning circle to a minimum.

# MATERIAL HOPPER AND STEERING

## Module 2

### 01 Choice of engine speed ranges

For the engine, there is a choice of three modes: MIN, ECO and MAX. To switch modes for engine speed, all the operator needs to do is press the up or down arrow buttons. In ECO mode, the engine delivers sufficient power for a great number of paving applications. Running in ECO mode significantly reduces noise and fuel consumption.

### 02 PaveDock Assistant (option)

The paver operator can use the PaveDock Assistant signal lights to give the driver of the feed vehicle clear signals indicating what needs to be done (e.g. reverse, stop, dump mix). The lights are conveniently activated directly from the paver operator's ErgoPlus 3 console.



01



02

01 Choice of engine speed ranges  
02 PaveDock Assistant (option)

### 03 Material hopper

The large material hopper with separate hinged sides is designed so that the machine can continuously be supplied with paving material in the ideal, economical way. The two hopper sides can be folded together separately or both together at the touch of a button. The hydraulically-operated hopper front available as an option ensures that the whole of the mix is incorporated in the material handling process.



01 Choice of engine speed ranges

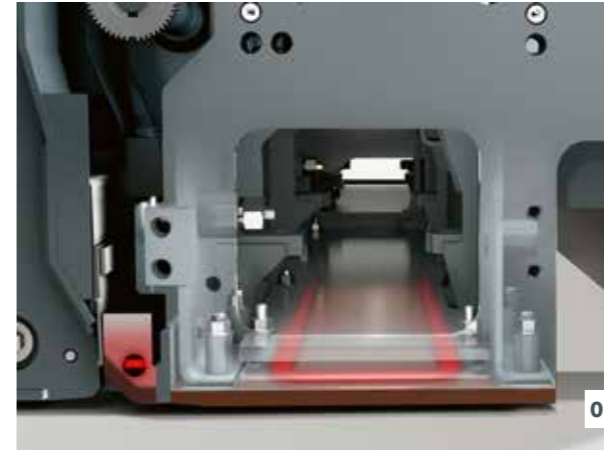
02 PaveDock Assistant (option)

03 Material hopper

# SCREED

## Module 3

All the key screed settings can be made from the paver operator's console. The screed can be raised or lowered here, each of the two sides of the screed extended or retracted or the angle of the screed adapted to suit conditions. This means the paver operator, too, has access to the screed at all times.



### 01 Screed Heating

In order to optimise compaction and produce a smooth surface texture, all compacting elements are heated across full screed width. A simple touch of a button is all it takes to switch screed heating on or off. To ensure the screed heating system is working properly, an automatic function check is carried out when it is switched on.

### 02 Screed Assist (option)

This button switches Screed Assist on (LED lights up) or off. Screed Assist pressure and balance can be set on the display. Screed Assist is active only when the screed is floating.

### 03 Screed Lock (option)

When the paver is in the transport position, the screed is secured by locking bolts. When the screed is raised, the two locking bolts can be retracted by the hydraulic screed lock at the touch of a button.

- 01 As standard, screed plates are fitted with heating elements which distribute the heat all over the plates.
- 02 When the screed is in the floating position, the Screed Assist feature can also be activated.

- 01 Screed Heating
- 02 Screed Assist (option)
- 03 Screed Lock (option)



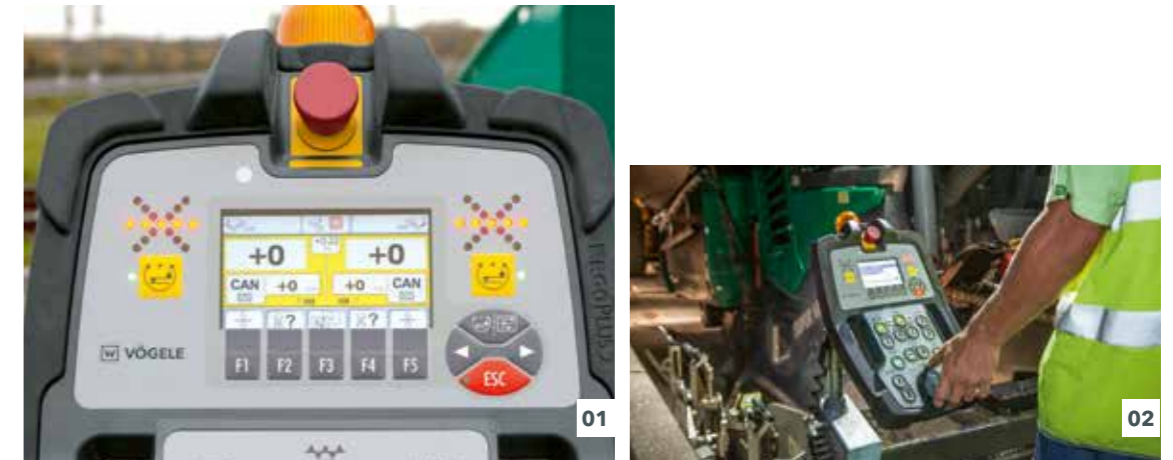


# ERGOPLUS 3 SCREED CONSOLE

The screed is crucial for pavement quality, so easy and positive handling of all screed functions is of the utmost importance for high-quality road construction.

With ErgoPlus 3, screed operators have the paving process at their fingertips. All functions are easy to understand and all controls are clearly arranged.

Push-buttons in watertight, raised enclosures are provided for the frequently-used functions operated from the screed console. This makes them identifiable blindfold simply by touch, even when wearing work gloves. Important paver and screed data can also be called up and adjusted from the screed console.



- 01 The high-contrast colour display ensures brilliantly clear legibility, even in poor light conditions. The high-performance, downward-facing LED lighting furthermore delivers perfect visibility.
- 02 Screed width can be adjusted by the handy SmartWheel.



- 01 Screed console display
- 02 Ergonomic screed width control
- 03 Crown adjustment at the touch of a button (option)

## 01 Screed console display

The screed console display allows the screed operator to control and monitor both the left and the right sides of the screed. Machine-related parameters such as the tamper bar or conveyor speed can be conveniently adjusted on the screed console display panel. The clear menu structure, combined with easy-to-understand, self-explanatory and language-neutral symbols, makes it both simple and safe to operate the display panel.

## 02 Ergonomic screed width control

Screed width can be effortlessly adjusted using the SmartWheel.

## 03 Crown adjustment at the touch of a button (option)

Crown can be conveniently adjusted at the touch of a button on the screed operator's console. When the "plus" or "minus" button is pressed, the set crown value is shown on the display.

# NIVELTRONIC PLUS AUTOMATED GRADE AND SLOPE CONTROL

The Niveltronic Plus System for Automated Grade and Slope Control is an in-house development by JOSEPH VÖGELE AG based on many years of experience in grade and slope control technology. Easy operation, precision and reliability are its hallmarks, ensuring perfect mastery of all grade and slope control jobs.

This fully integrated system is perfectly adapted to the machine technology of VÖGELE pavers with the ErgoPlus 3 operating concept. For example, all wiring and connections are integrated in the tractor unit and screed, effectively eliminating any risk of damage to those components.

VÖGELE of course offers a very wide and practical selection of sensors to permit versatile use of the Niveltronic Plus system.

Whether the project is to build or rehabilitate car parks, roundabouts or motorways, VÖGELE supplies the right sensor for every job site situation.

Sensors can be changed quickly and easily, as Niveltronic Plus automatically detects which sensor is connected, simplifying the configuration process for the user.

The setup tool provides information about the correct distance from the reference as soon as the System for Automated Grade and Slope Control is commissioned. The correct position has been reached when the two centre LEDs on the vertical LED strip come on.



01



02



03

- 01 The LED sighting crosses also fitted to the sensor provide continuous, clearly visible feedback to the screed operator, indicating whether the actual values match the settings made.
- 02 Various sensor types are available for Niveltronic Plus, in keeping with the machine's extensive and varied range of applications. These sensors extend from a mechanical sensor to non-contacting sonic sensors.
- 03 The two-way split display provides the screed operator with access to both sides of the screed. The symbols provide information at all times - on the height of the tow point rams, on pre-set and actual values, and on the pre-set sensitivity of the grade and slope control sensors.



01

02

03

## VÖGELE > GOOD TO KNOW

### Sensors available

#### Slope sensor

The slope sensor allows transverse profile to be determined exactly and then paved accurately. The measuring range is +/- 10%.

#### Variable mechanical grade sensor

The variable mechanical grade sensor can be equipped with skis for referencing from the ground in 30 cm, 1 m and 2 m lengths.

#### Single-cell sonic sensor

The single-cell sonic sensor emits a sound cone and consequently copies references 1:1 without calculating an average. It can be used for referencing from the ground (Ground mode) or from a tensioned wire (Stringline mode).

#### Multi-cell sonic sensor

The multi-cell sonic sensor, with its four sensors, is highly versatile. By calculating an average, it can compensate for brief irregularities in a reference.



01



02



03



04



05



06

## OPERATOR'S ERGOPLUS 3 PLATFORM

Improved efficiency, reliability and convenience

An ergonomic workstation is of key importance to enable a paver operator to concentrate fully for long periods of time, which is why VÖGELE relies on the paver operator's ErgoPlus 3 platform. The operator's ErgoPlus 3 platform provides plenty of storage space, is clearly arranged and meets stringent health and safety requirements.

Outstanding all-round visibility also increases safety. The operator can monitor everything from his workstation: material feed, material supply and head of mix. With its intelligent design, the ErgoPlus 3 system proves that innovative technology can be controlled ergonomically, efficiently, intuitively and conveniently.

### 01 The convenient operator's platform

- > The convenient operator's platform gives an unobstructed view of all the crucial areas of the paver - such as material hopper, steering guide or screed. It allows the paver operator to monitor closely the feeding of the paver with mix.
- > The operator's platform, with its streamlined design, is well organised, offering the paver operator a professional workplace. The operator's console can be protected by a shatter-proof cover to prevent vandalism.

### 02 Control console and seats can be moved for an optimum seated position

- > Seats which swing out to the sides and a streamlined operator's platform likewise provide maximum visibility of the auger tunnel, allowing the paver operator to keep a close eye on the head of mix in front of the screed at all times.
- > The paver operator's seat and console on the platform, as well as the screed operator's platforms can now be adjusted even more easily to suit personal requirements.

### 03 Hardtop gives excellent protection

- > The modern hardtop made of glass fibre-reinforced polymer material shelters the operator come rain or shine.

### 04 Consistent service concept

- > All Dash 3 pavers have a consistent maintenance concept with identical service intervals.

### 05 Safe and convenient ascent

- > The walkway and central step access on the screed ensure safe, convenient access to the operator's platform.

### 06 Ergonomic screed console

- > The height and position of the console are easily adjusted. The high-contrast colour display can be read clearly from all angles.

# AB 340 EXTENDING SCREED

The AB 340 Extending Screed is the perfect match for the SUPER 1303-3(i). The screed has a basic width of 1.8 m and extends hydraulically up to 3.4 m. The version with tamper and vibrators (TV) can be extended to a maximum pave width of 4.5 m using bolt-on extensions. The unique VÖGELE single-tube telescoping system allows backlash-free screed width control, accurate to the millimetre, up to 3.4 m.

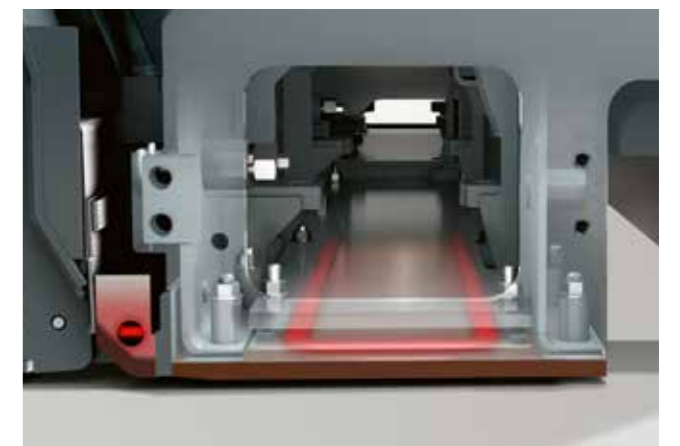
Another typical VÖGELE feature found in the AB 340 Extending Screed is the powerful electric heating system. The modern screed heating system delivers quick and uniform heating to operating temperature, essential for a smooth surface texture. Excellent insulation of the screed plates reduces heat loss to a minimum. It takes only a short time to heat the screed, even with the engine running at minimum rpm.

In automatic operation, the screed is heated in alternating mode, which means that only one half is heated at any one time, thus relieving load on the engine and saving fuel.



## Innovative screed heating

In order to optimise compaction performance and to produce a smooth surface structure, all compacting elements are heated across full screed width. As standard, screed plates are fitted with heating elements which distribute heat throughout the plates. The plates are thoroughly insulated on top so that 100% of the heat is directed to where it is needed: the area of contact with the mix. The tamper bar is fitted with heating rods for quick and uniform heating from the inside. Sophisticated control technology is installed to allow automated screed heating management.





### AB 340

#### Pave widths

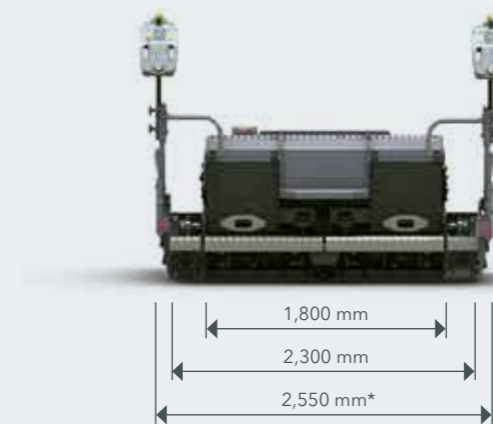
- > Infinitely variable range from 1.8 m to 3.4 m
- > Maximum pave width achieved using bolt-on extensions:
  - > AB 340 V: 4.2 m
  - > AB 340 TV: 4.5 m
- > Smaller widths achieved by fitting cut-off shoes to a minimum of 75 cm

#### Compacting systems

- > AB 340 V with vibrators
- > AB 340 TV with tamper and vibrators

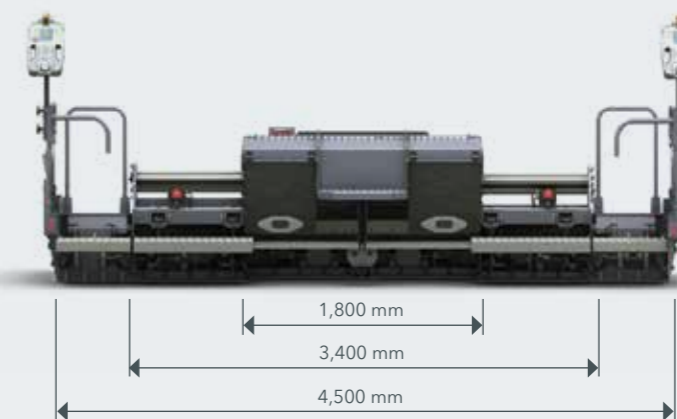


AB 340 V/TV built up with 25 cm bolt-on extensions



Easy transport  
\*Even with bolt-on extensions and side plates fitted, the transport dimensions do not exceed 2.55 m.

AB 340 TV built up with 55 cm bolt-on extensions



# WIRTGEN GROUP CUSTOMER SUPPORT

Service you can rely on.

You can have confidence in our reliable, rapid support throughout the entire life cycle of your machine. Our wide range of services is ready with the right solution to every challenge you face.



## Service

We keep our service promise with rapid, straightforward assistance - on the job site or at our professional workshops. Our service team is trained to a professional standard and dedicated tools ensure that repair, care and maintenance tasks are completed quickly. We can support you with customised service agreements on request.

> [www.wirtgen-group.com/service](http://www.wirtgen-group.com/service)



## Spare Parts

WIRTGEN GROUP original parts and accessories assure the long-term reliability and availability of your machines. Our experts will also be pleased to advise you about optimised wear part solutions to suit your application. Our parts are available all over the world at all times and are easy to order.

> [parts.wirtgen-group.com](http://parts.wirtgen-group.com)



## Training

The WIRTGEN GROUP brands are specialists in their field with decades of experience in applications; our customers benefit from this expertise. In our WIRTGEN GROUP training courses, we are delighted to pass our knowledge on to you, customised to suit both operators and servicing staff.

> [www.wirtgen-group.com/training](http://www.wirtgen-group.com/training)



## Telematics solutions

At the WIRTGEN GROUP, construction machinery involving leading-edge technology goes hand in hand with sophisticated telematics solutions. Intelligent monitoring systems such as WITOS or JD Link\* not only make it easier for you to plan the maintenance of your machines, they also increase productivity and efficiency.

> [www.wirtgen-group.com/telematics](http://www.wirtgen-group.com/telematics)

\* Neither WITOS nor JD Link are currently available in all countries. Please contact the subsidiary or dealer responsible for you for more information about this.

# ALL THE FACTS AT A GLANCE

SUPER 1303-3(i) Wheeled Paver



## TECHNICAL DATA



## SUPER 1303-3(i)

- > Maximum pave width: 4.5 m
- > Maximum laydown rate: 250 t/h
- > Layer thickness: max. 25 cm
- > Transport width: 1.85 m



## JOSEPH VÖGELE AG

Joseph-Vögele-Str. 1  
67075 Ludwigshafen  
Germany

T: +49 621 8105-0

F: +49 621 8105-461

E: [marketing@voegele.info](mailto:marketing@voegele.info)

 [www.voegele.info](http://www.voegele.info)



For more information scan the code.