

Technical Information

MOBISCREEN MSC 702(i) EVO

MOBISCREEN MSC 703(i) EVO



Track-driven screening plants

Use in natural stone and recycling

MOBISCREEN MSC EVO

Series

HIGHLIGHTS

- > Classifying screening plant
- > Mobile double-deck screening unit (MSC 702(i) EVO) / triple deck screening unit (MSC 703(i) EVO)
- > Screen casing size 7 m²
- > Maximum feed size 100 x 160 mm

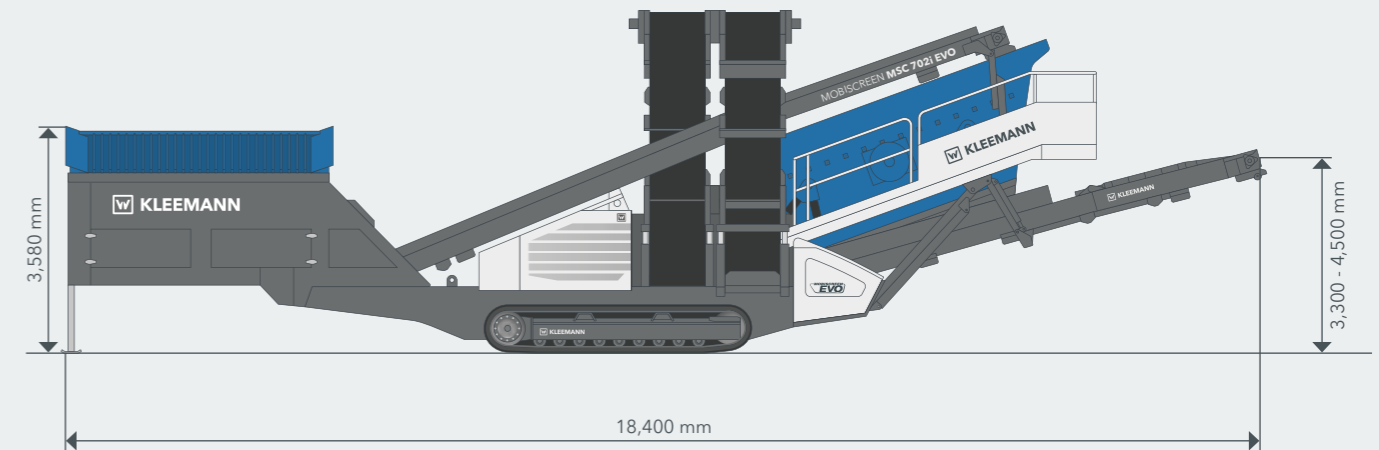
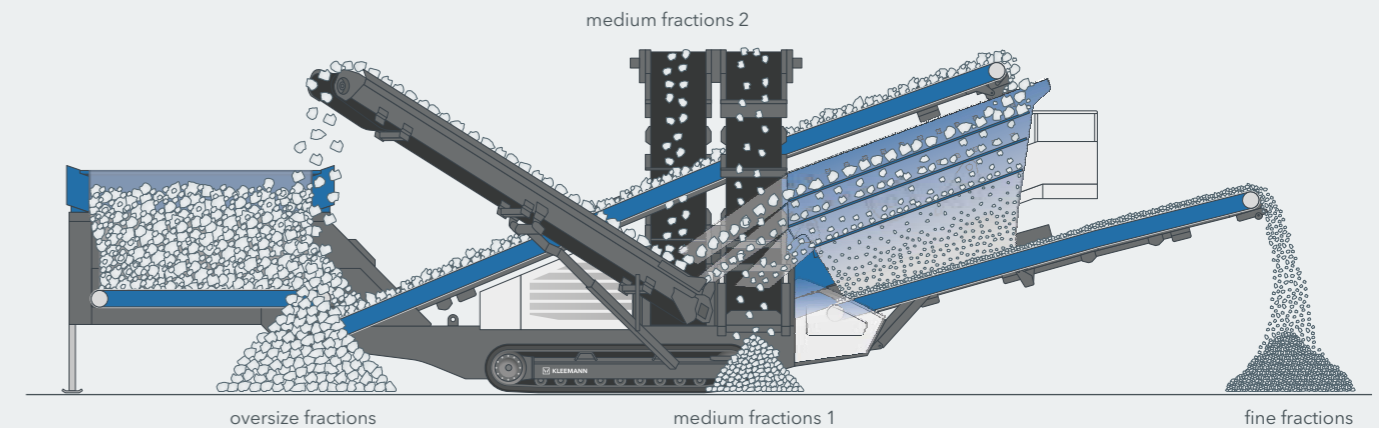
Mobile classifying screening plants MOBISCREEN MSC EVO

The mobile screening plants MOBISCREEN MSC 702(i)/703(i) EVO are equipped with a 7 m² screen casing and are designed as double-deck and triple-deck classifying screens. Thanks to compact transport dimensions, short set-up times and a large selection of screen surfaces, the plants can be used flexibly.



TECHNICAL DATA	MSC 702(i) EVO	MSC 703(i) EVO
Feeding unit		
Feed capacity up to approx. (t/h)	350	350
Max. feed size (mm)	100 x 160 (350) ¹⁾	100 x 160 (350) ¹⁾
Feed height - foldable slotted grate (mm)	3,580	3,580
Hopper volume (m ³)	8	8
Hopper discharge conveyor		
Width x Length (mm)	1,200 x 3,500	1,200 x 3,500
feeding conveyor		
Width x Length (mm)	1,200 x 10,300	1,200 x 10,300
Screening unit		
Type	Double-deck classifying screen	Triple-deck classifying screen
Width x Length (mm)	1,550 x 4,500	1,550 x 4,500
Fine grain discharge conveyor		
Width x Length (mm)	1,200 x 6,600	1,200 x 6,600
Discharge height approx. (mm)	3,300 - 4,500	3,300 - 4,500
Discharge conveyor overflow lower deck (medium grain)		
Width x Length (mm)	650 x 10,200	650 x 10,200
Discharge height approx. (mm)	5,000	5,000
Discharge conveyor overflow centre deck (medium grain)		
Width x Length (mm)	-	650 x 10,200
Discharge height approx. (mm)	-	5,000
Transfer conveyor		
Width x Length (mm)	-	650 x 1,800
Discharge conveyor overflow upper deck (oversize grain)		
Width x Length (mm)	650 x 10,200	500 x 8,900
Discharge height approx. (mm)	5,000	5,020
Power supply unit		
Drive concept	diesel-hydraulic	diesel-hydraulic
Power pack manufacturer stage 3a	Deutz	Deutz
Power pack manufacturer stage 4f, V	John Deere	John Deere
Power supply unit output (kW)	73	73
Transport position dimensions		
Height approx. (mm)	3,400	3,400
Length approx. (mm)	16,525	16,525
Width approx. (mm)	3,000	3,200
Transport weight basic system - max. equipment approx. (kg)	30,500 - 38,000	33,500 - 41,000

¹⁾ with vibrating grate

OPERATING POSITION MSC 702(i) EVO

MATERIAL FLOW MSC 703(i) EVO


The material flow of the MSC 702(i) and MSC 703(i) EVO is designed for a high output. Starting with the feed hopper, which has an impressive holding capacity and which widens in material direction of flow. The material is thus transferred via the hopper discharge conveyor with optimised distribution onto the extra-wide feeding conveyor. Thanks to impact plates on the belt discharge and screen casing loading, the material is distributed evenly

on the generously dimensioned screening surface and the screen surface is protected against wear.

Operation is via an intuitive mobile operating device that can be inserted at three points on the machine. All functions can therefore be controlled simply from a safe distance and operating statuses and machine functions can be viewed easily at all times.

STANDARD EQUIPMENT

- > Double-deck classifying screen (MSC 702(i) EVO)
- > Triple-deck classifying screen (MSC 703(i) EVO)
- > Hopper unit 8 m³
- > Foldable slotted grate, gap width 100 mm, hydraulic folding (remote control, small)
- > Feeding conveyor, smooth belt
- > Removable, wired machine control system used for controlling all driving and movement functions, adapting settings and reading out machine data and troubleshooting aids
- > Telematics system WITOS FleetView for efficient Fleet and Service Management



Economic operation of the machine also requires choosing the correct wear parts. KLEEMANN original parts are ideally tuned

to the requirements of users and machines. Thanks to our application know-how and expert advice, we help our customers to find the optimal wear part for their individual application. Further information: parts.wirtgen-group.com

OPTIONS

- > Hopper unit 10 m³
- > Wear lining made from wear-resistant steel (KRS) or rubber (for 8 and 10 m³)
- > Vibrating slotted grate for separating feed material, gap width of upper deck 100 mm, clear mesh size of lower deck 32 - 90 mm
- > Dosing shutter on hopper unit for continuous material flow
- > Cleated feeding conveyor prevents material from rolling back
- > Feeding conveyor roll-back protection to prevent material from rolling back
- > Screen blankets prevent feed material from jumping over from the upper deck
- > Oversize grain conveyor of the MSC 703(i) EVO can be configured on the left or right (retrofit not possible)
- > Belt cover for the feeding conveyor or fine grain discharge conveyor
- > External power supply - for efficient mains operation, possible to change between two energy sources: own propulsion (diesel engine) or external power supply
- > Start-stop system for low consumption in idle phases
- > Radio remote control: crawler chassis, automatic folding function of the slotted grate, hopper discharge conveyor On/Off and speed setting, emergency stop
- > Remote control for foldable slotted grate, in addition to cable control (omitted if plant has radio remote control)
- > Line coupling for interlinking with other KLEEMANN plants
- > Large selection of screen surfaces for all decks with different clear mesh sizes
- > Straps with screen beaters for use with sticky material
- > Water spray system for dust reduction
- > LED lighting

KLEEMANN GmbH

Manfred-Wörner-Str. 160
73037 Göppingen
Germany

T: +49 7161 206-0
F: +49 7161 206-100
M: info@kleemann.info

www.kleemann.info

