

Technical Information

MOBICAT MC 120(i) PRO



Track-mounted jaw crusher

For use in natural stone

MOBICAT PRO

Series

HIGHLIGHTS

- > Extremely robust design
- > Very high production output with low-maintenance operation
- > Crusher unblocking system via frequency converter (optional)
- > External power supply (optional)
- > Ideal for combination with downstream MOBICONE MCO 110(i) PRO cone crusher
- > Optional crusher discharge chute

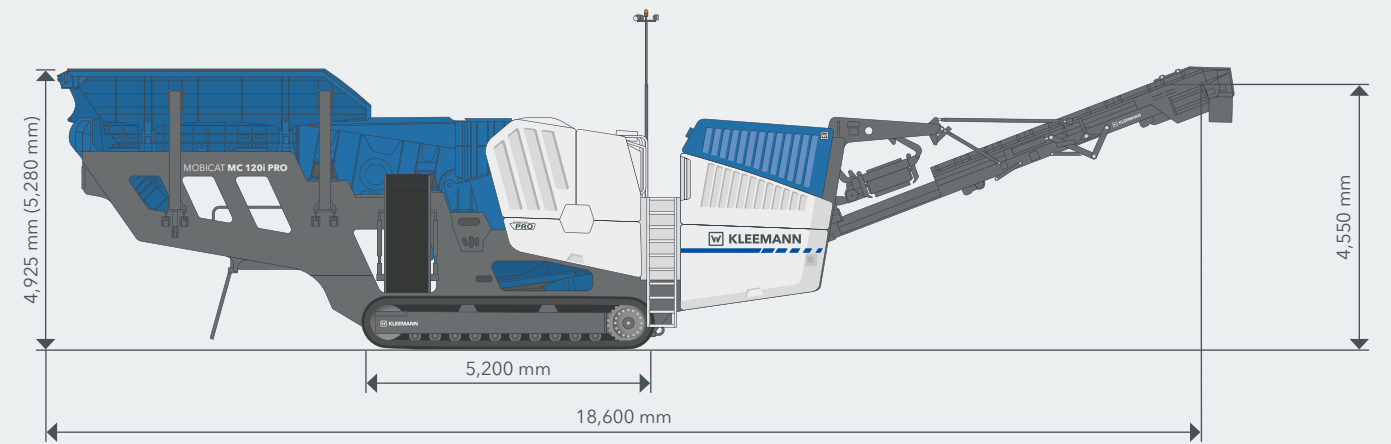


MOBICAT MC 120(i) PRO mobile jaw crusher

The MOBICAT MC 120(i) PRO, the first jaw crusher in the PRO Line, is used for pre-crushing almost all natural stone. The jaw crusher is extremely robust and excels with its

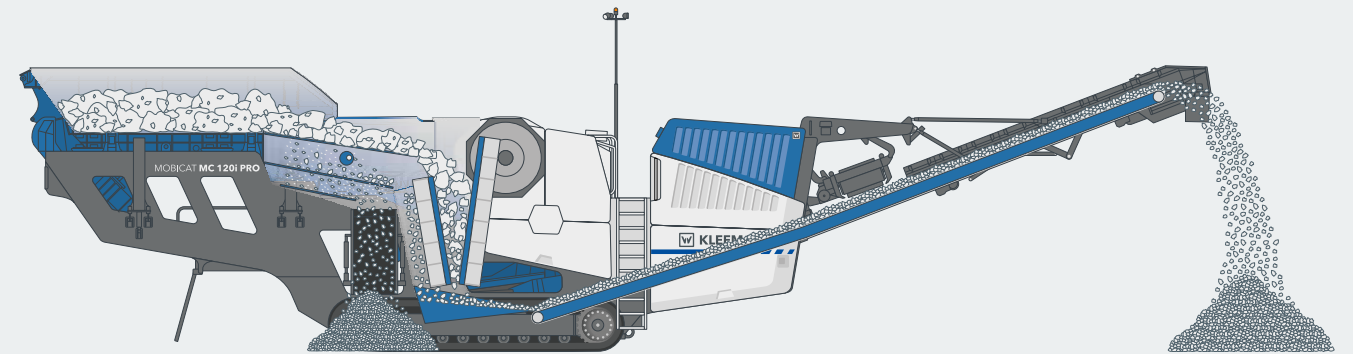
low-maintenance operation. The machine guarantees high production outputs.

OPERATING POSITION



MC 120(i) PRO TECHNICAL DATA	
Feeding unit	
Feed capacity up to approx. (t/h)	650 ¹⁾
Max. feed size (mm)	1,080 x 680 x 410
Feed height (mm)	4,930
Width x length (with extension) (mm)	2,850 x 4,100 (3,900 x 3,910)
Hopper volume (with extension) (m ³)	9.7 (13)
Vibrating feeder chute	
Width x length (mm)	1,110 x 3,600
Prescreening	
Type	Double-deck heavy-duty screen
Width x length (mm)	1,200 x 2,900
Side discharge conveyor (optional)²⁾	
Width x length (mm)	650 x 6,650
Discharge height approx. (mm)	3,450
Crusher	
Single-toggle jaw crusher model	STR 120
Crusher inlet width x depth (mm)	1,200 x 800
Crusher weight approx. (kg)	29,200
Crusher drive type, approx. (kW)	Electric, 200
Gap width adjustment range (mm)	70 - 200 ³⁾
Crusher gap adjustment	Fully hydraulic
Crushing capacity^{1) 3)}	
Crushing capacity with CSS = 100 mm up to approx. (t/h)	250
Crushing capacity with CSS = 130 mm up to approx. (t/h)	325
Crushing capacity with CSS = 160 mm up to approx. (t/h)	400
Crusher discharge chute (optional)	
Width x length (mm)	1,300 x 2,000
Crusher discharge conveyor	
Width x length (extended) (mm)	1,200 x 12,300 (13,900)
Drop height approx. (extended) (mm)	4,000 (4,550)
Power plant	
Drive concept	Diesel-electric
Scania diesel engine drive power (kW)	368 - 410 ⁴⁾
Generator (kVA)	500
Transport	
Transport height approx. (mm)	4,100
Transport length approx. (mm)	19,355
Max. transport width (mm)	3,000
Transport weight of basic plant - max. configuration approx. (kg)	72,500 - 86,500

MATERIAL FLOW



The MOBICAT MC 120(i) PRO has a generously dimensioned feeding unit, which enables large quantities of materials to be fed using an excavator or wheel loader without any difficulty. The plant's high level of performance is also reflected by the dimensions of the crusher inlet and the extra-long moving crusher jaw design.

This enables large stones to be fed in. Despite its impressive size and power, the machine can still be transported in one piece. Components such as the foldable side discharge conveyor, feeding unit and rock chisel are equipped with hydraulic functions and can remain on the machine for transport.

¹⁾ Depending on the type and composition of the feed material, as well as the feed size, the prescreening and the desired final grain size

²⁾ Foldable side discharge conveyor remains attached to the plant for transportation

³⁾ CSS = Close Side Setting

⁴⁾ Depending on the respective exhaust emission standard

STANDARD EQUIPMENT

- > Hydraulically foldable feed hopper
- > Frequency-controlled feeder chute, frequency-controlled prescreen. Automatic control depending on crusher level thanks to CFS
- > Jaw crusher with crusher jaws made of high-quality hard manganese steel
- > SPECTIVE control concept: Menu-controlled user interface, 12-inch operating panel; lockable control cabinet, protected against dust and vibration; WITOS FleetView telematics system for efficient fleet and service management
- > Remote control: Wired and wireless remote control including switch-off function for feeding unit
- > Water spray system reduces dust
- > Lighting

OPTIONS

- > SPECTIVE CONNECT displays all important machine information directly on the smartphone
- > Replaceable hopper elements: KRS Kleemann Resistant Steel and plastic elements
- > Hopper extension, rear filling width 3.8 m
- > Side discharge conveyor, hydraulically foldable or rigid: Can be used on both sides, foldable version remains attached to the plant for transportation, incl. spray system
- > Crusher discharge chute: Additional protection for crusher discharge conveyor when crushing large, sharp stones
- > Extended crusher discharge conveyor, hydraulically foldable

OPTIONS

- > Belt scale in crusher discharge conveyor
- > Belt cover, crusher discharge conveyor and side discharge conveyor (canvas)
- > Electromagnetic separator, permanent magnet separator, magnet preparation
- > Raised engine air intake for lower dust exposure
- > External power supply for efficient mains operation
- > Automatic lubrication of crusher bearing
- > Platforms: Prescreen platform on right, platform above crusher power plant platform, additional ladder on right
- > Line coupling for linking with other KLEEMANN plants
- > Crusher unblocking system using frequency converter: Start up when crusher is full, adjustable crusher speed, crusher can be reserved
- > Rock chisel: For removing stuck material or for crushing lumps of stone within the entire feeder area; remains attached to the plant for transportation; incl. operating platform and remote control
- > Diesel refuelling pump: Hose system incl. pump, refuelling from a separate tank possible
- > Water pump with pressure monitoring
- > Camera system monitors the feeding unit and the crusher from the ground, available with additional wireless expansion, additional connection to SPECTIVE CONNECT
- > Sockets: 125 A socket for discharge supply for operating additional electrical devices (e.g. stacker, MS EVO screening plant); 16 A/32 A power supply for supplying power to service tools
- > Premium lighting
- > Climate package: Heating and cooling package



For the machine to operate efficiently, it is essential that the correct wear parts are used. KLEEMANN original parts are optimally adapted to the requirements of both the user and the machine. We use our application know-how and expert advice to help our customers find the right wear part to meet their specific needs.

For further information, visit: parts.wirtgen-group.com

KLEEMANN GmbH

Manfred-Wörner-Str. 160
73037 Göppingen
Germany

T: +49 7161 206-0
F: +49 7161 206-100
M: info@kleemann.info

> www.kleemann.info

